

*Barudan*

HIGH SPEED AUTOMATIC EMBROIDERY MACHINE

**BEVY - Z12C/Z15C**

**PARTS LIST**



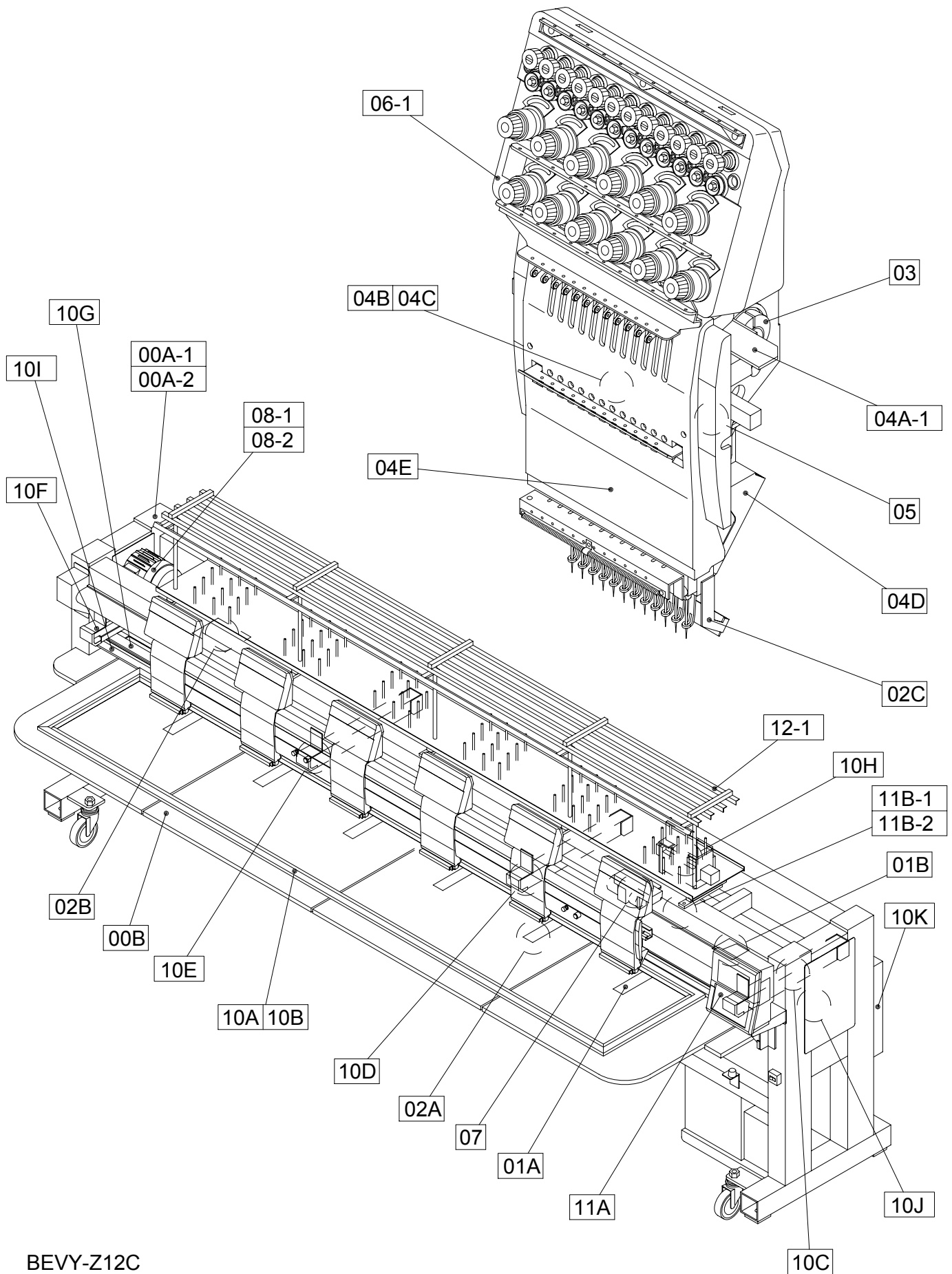
# BEVY - Z12C/Z15C

## HIGH SPEED AUTOMATIC EMBROIDERY MACHINE

### CONTENTS

Machine layout (BEVY)	07	Color change
00A-1 Table· Frame A(2T/4T)	08-1	Drive(2T/4T)
00A-2 Table· Frame A(6T/8T)	08-2	Drive(6T/8T)
00B Table· Frame B	10A	Pantograph drive A
01A Head· Bed A	10B	Pantograph drive B
01B Head· Bed B	10C	Pantograph drive C
02A Thread cut A	10D	Pantograph drive D
02B Thread cut B	10E	Pantograph drive E
02C Thread cut C	10F	Pantograph drive F
03 Take up lever	10G	Pantograph drive G
04A-1 Needle bar A(Z12)	10H	Pantograph drive H
04A-2 Needle bar A(Z15)	10I	Pantograph drive I
04B Needle bar B	10J	Pantograph drive J
04C Needle bar C	10K	Pantograph drive K
04D Needle bar D	11A	Control A
04E Needle bar ED	11B-1	Control B(2T/4T)
05 Jump	11B-2	Control B(6T/8T)
06-1 Thread guide(Z12)	12-1	Accessories(Z12)
06-2 Thread guide(Z15)	12-2	Accessories(Z15)

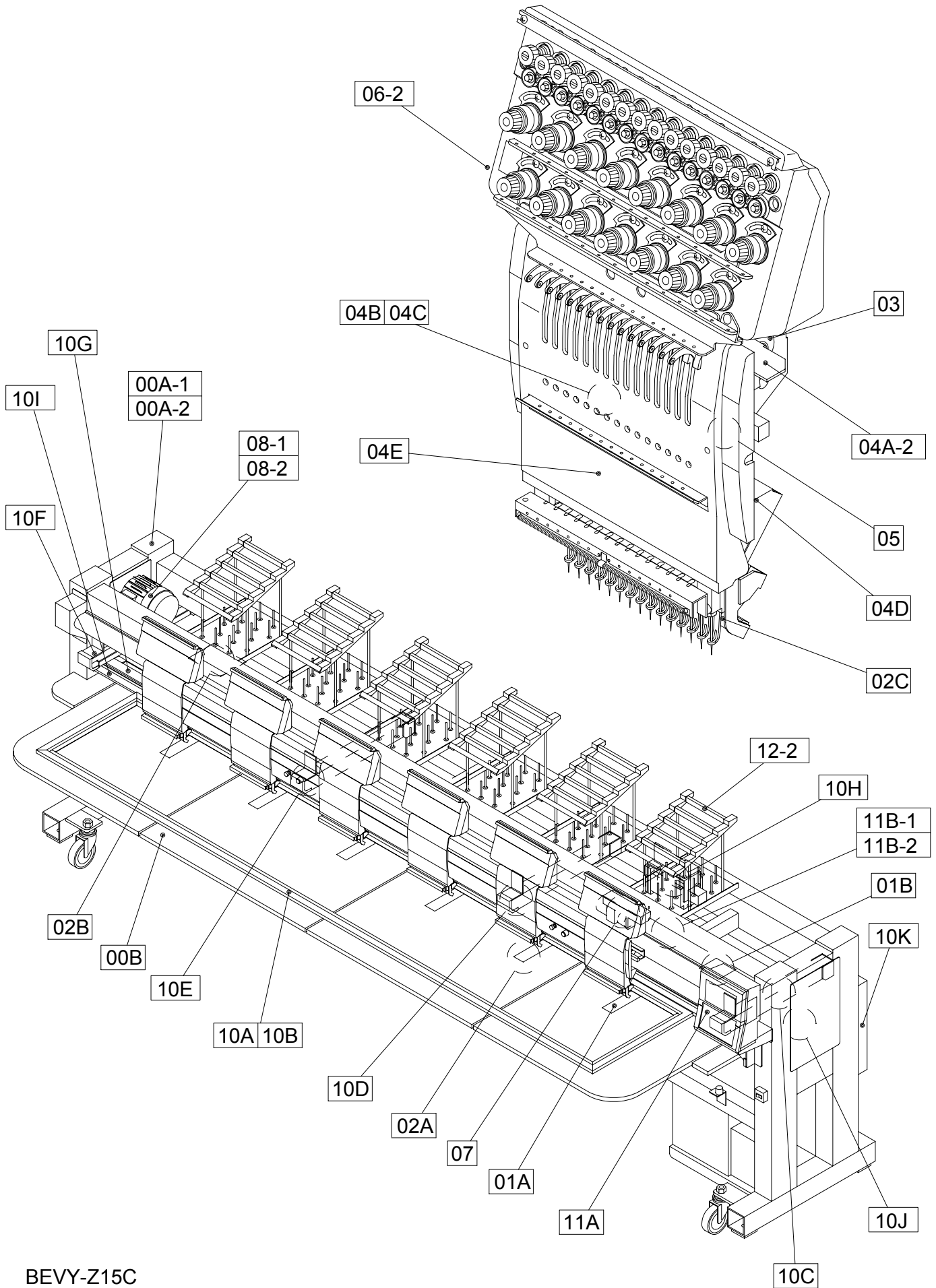
# Machine layout (BEVY-Z12C)



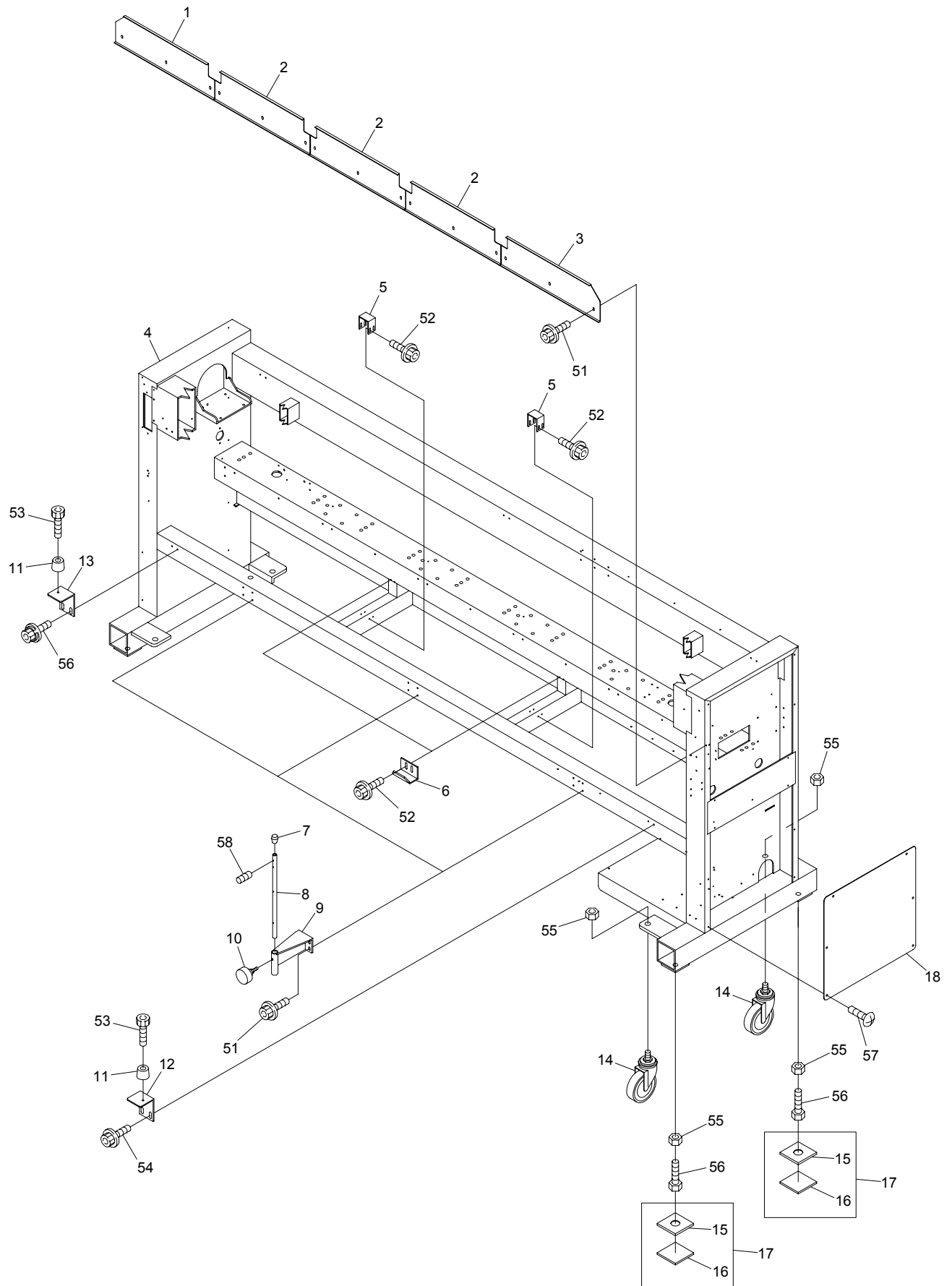
From the library of: Diamond Needle Corp

BEVY-Z12C

# Machine layout (BEVY-Z15C)



00A-1 Table Frame A(2T/4T)



From the library of: Diamond Needle Corp

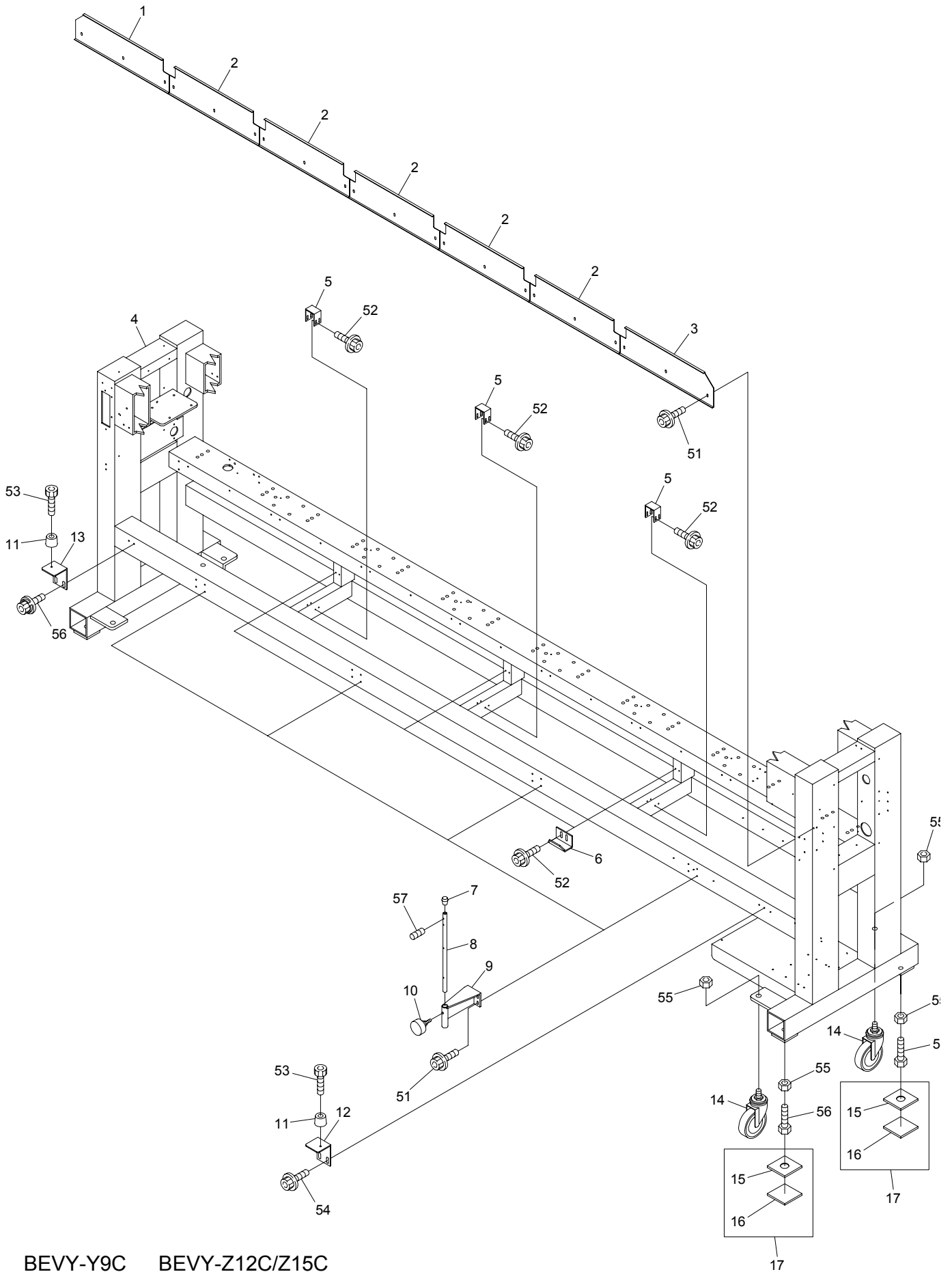
BEVY-Y9C BEVY-Z12C/Z15C

00A-1 Table · Frame A (2T/4T)

ITEM	LIST No.	DESCRIPTION	Q' TY	NOTE
1	SJ140050	Oil store(L) DYHE P=520	1	
2	SJ140060	Oil store(Center) DYHE P=520	1	2T
			3	4T
3	SJ140040	Oil store(R) DYHE P=520	1	
4	SJ160891	Frame BEDYHE-Z12-C02 450×520/520	1	2T
	SJ160461	Frame BEDYHE-Z06-C02 450×520/520	1	2T
	SJ160911	Frame BEDYHE-Z12-C04 450×520/520	1	4T
	SJ160532	Frame BEDYHE-Z06-C04 450×520/520	1	4T
5	SC140130	Table bracket	1	2T
			2	4T
6	SC140120	Table stopper	1	2T
			2	4T
7	A9014161	Rubber foot for pipes(C-31-5)	2	2T
			3	4T
8	SJ140120	Table stand(DYHE)	2	2T
			3	4T
9	SJ140130	Table stand bracket(DYHE-C)	2	2T
			3	4T
10	SJ140220	Table stand fixed knob bolt	2	2T
			3	4T
11	A9014163	Color rubber foot(C-30-FRB-3225)	2	
12	SC140160	Support table catch stay(R)	1	
13	SC140170	Support table catch stay(L)	1	
14	A9019049	Caster(SSC-125NU)	4	
15	SC160010	Mount base(Compact machine)	4	
16	SC160020	Vibroisolating pad(Compact machine)	4	
17	SC160030	Mount base a'ssy(Compact machine)	4	
18	SJ160040	Frame under cover(DYHE)	2	
51		Hex. socket flange bolt M6×12(Chromate)		
52		Hex. socket flange bolt M5×10(Chromate)		
53		Hex. socket bolt M5×15(With adhesive) Black(Screw lock red)		
54		Hex. socket flange bolt M5×12		
55		Hex. nut M20		
56		Hex. bolt M20×75		
57		Truss screw M5×10		
58		Hex. socket set screw M5×20		

From the library of: Diamond Needle Corp

00A-2 Table Frame A(6T/8T)



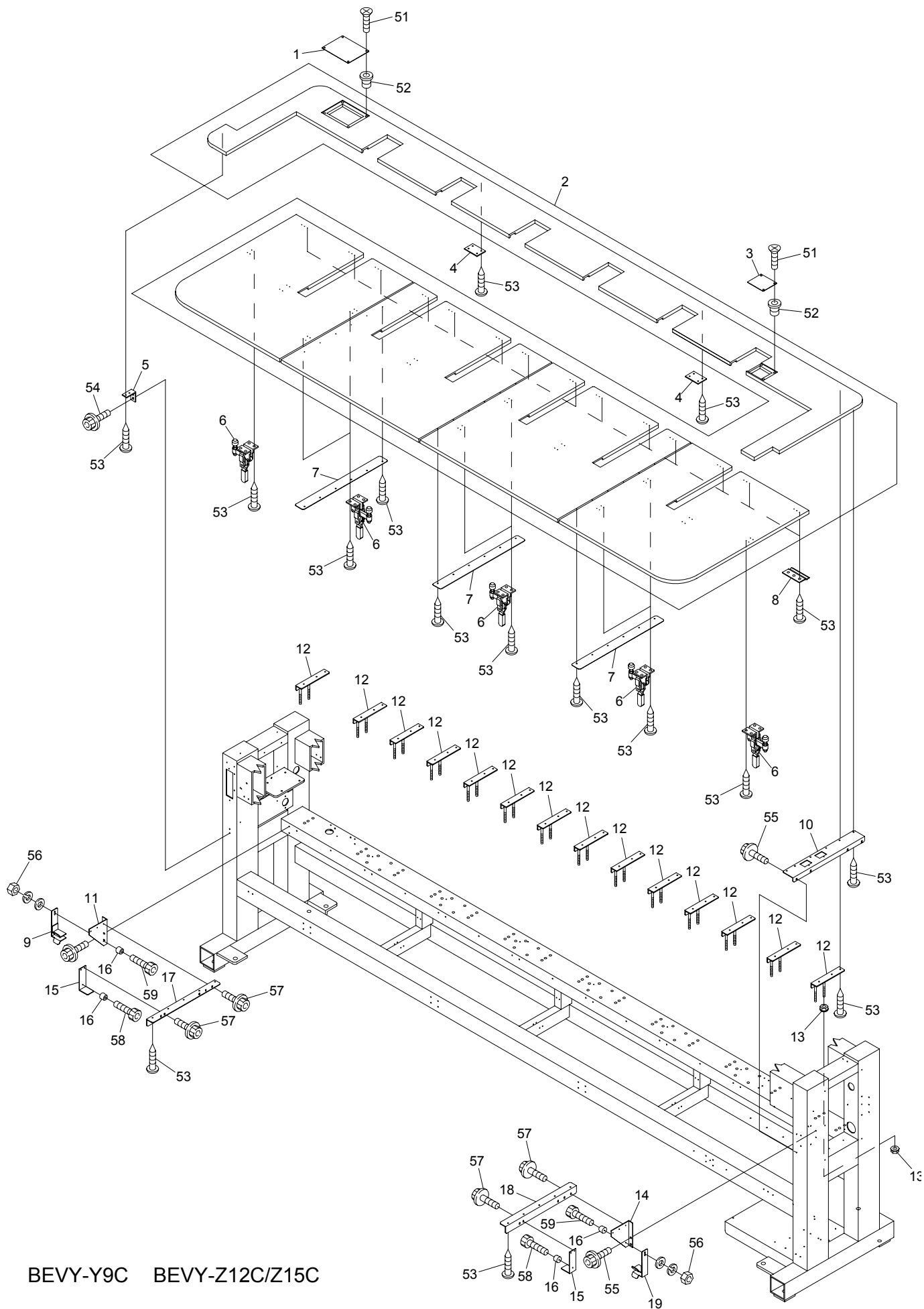
From the library of: Diamond Needle Corp

BEVY-Y9C BEVY-Z12C/Z15C





00B Table Frame B

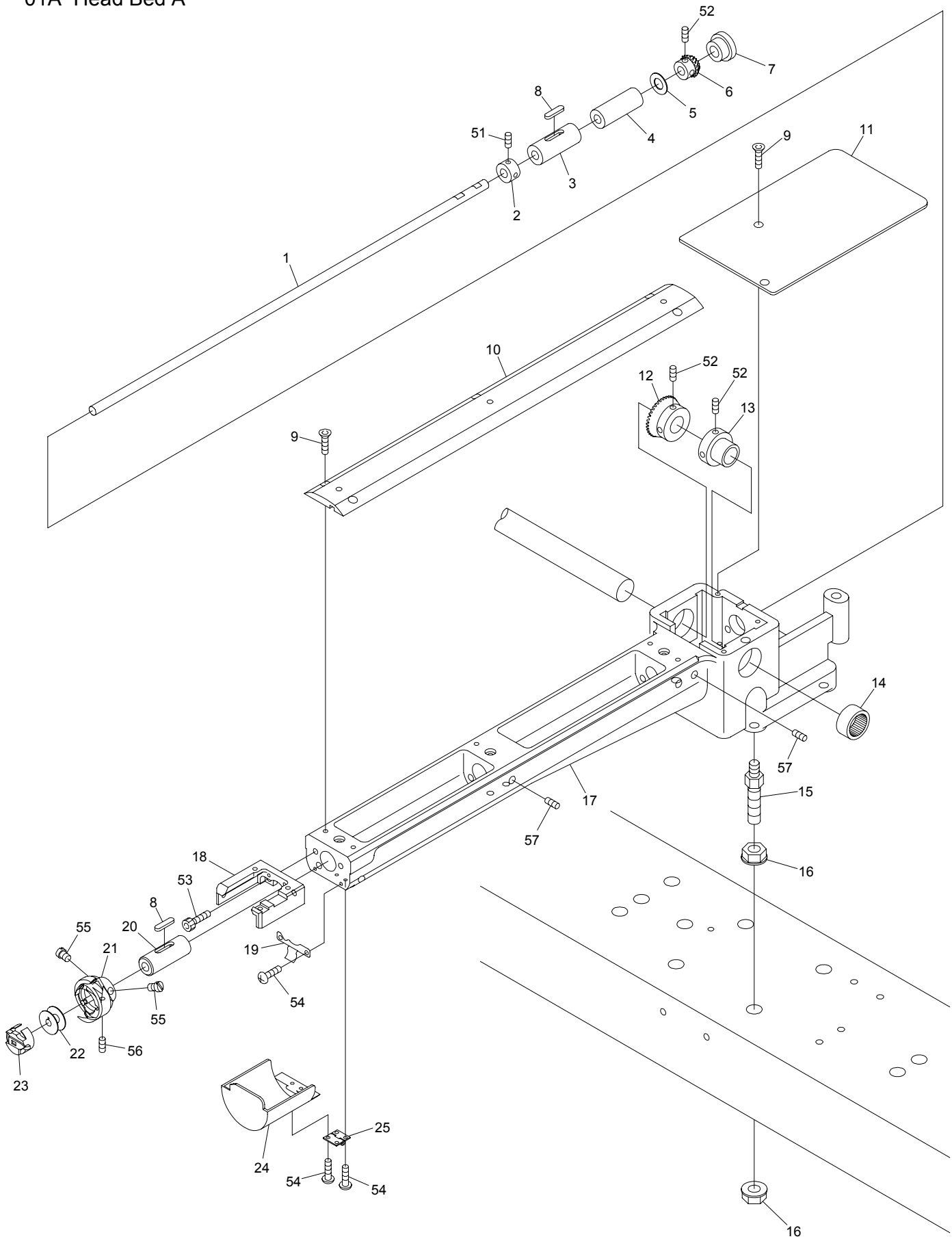


From the library of: Diamond Needle Corp

BEVY-Y9C BEVY-Z12C/Z15C



01A Head Bed A



From the library of: Diamond Needle Corp

BEVY-Y9C

BEDSHE-ZQ-BS

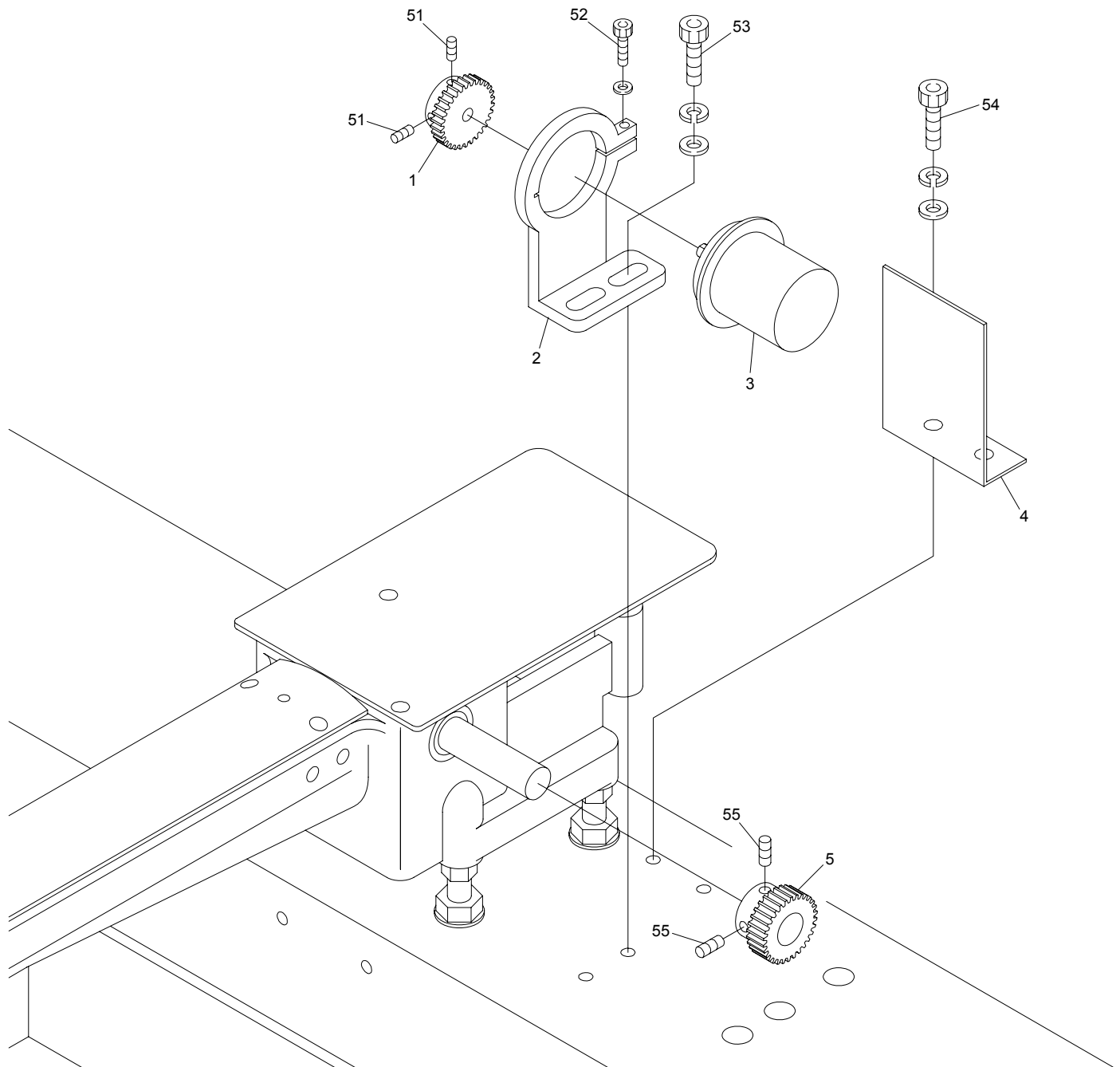
BEVS-Z12C/Z15C

BEVY-Z12C/Z15C

BEDLHE-Z12/ZQ-C

ITEM	LIST No.	DESCRIPTION	Q' TY	NOTE
1	HS210021	Lower shaft	H × 1	Small bobbin 小釜
	HS210020	Lower shaft	H × 1	Middle bobbin 中釜
2	KF220290	Lower shaft collar	H × 1	
3	KF220230	Lower shaft metal(Front)	H × 1	
4	HS220010	Lower shaft metal(Cylinder back side)	H × 1	
5	HT220061	Thrust washer (Lower shaft)	H × 1	
6	SJ220010	Lower shaft gear(Small gear,Korean)	H × 1	
7	A9014059	Gromet MG(MG-1)	H × 1	
8	KL220140	Oil felt C(5×25×20)	H × 2	
9	KX250080	Throat plate set screw(Hex.socket)	H × 7	
10	SJ210120	Cylinder bed cover,correspond barrel frame	H × 1	
11	HS210042	Bed cover	H × 1	
12	SJ320010	Lower shaft gear(Large gear,Korean)	H × 1	
13	HP321090	Lower shaft connecting shaft collar	H × 1	
14	A9011111	Needle bearing(TLA-2012Z)	H × 1	
15	SC210000	Adjust bolt	H × 4	
16	SC210010	Adjust nut M10	H × 8	
17	SJ210090	Bsrrel bed(Small bobbin) correspond barrel frame	H × 1	Small bobbin 小釜
	SJ210150	Bsrrel bed R-type(Middle bobbin) correspond barrel frame	H × 1	Middle bobbin 中釜
18	SJ210080	Throat plate base,correspond barrel frame	H × 1	
19	KC250482	Barrel bed cover hold spring	H × 1	
20	KF220240	Vertical shaft metal(Upper)	H × 1	
21	KF220700	Rotating hook HSL-ATR(M1QTS)	H × 1	Small bobbin 小釜
	KF221040	Middle bobbin for automatic feed oil HSM-A(MQ2L)	H × 1	Middle bobbin 中釜
22	KF220530	Bobbin	H × 1	Small bobbin 小釜
	KF220421	Bobbin (HSM)(DBM)(For aluminum,middle bobbin)	H × 1	Middle bobbin 中釜
23	KF221020	Bobbin case(4B19-S6-BA)	H × 1	Small bobbin 小釜
	KF220302	Bobbin case BC-DBM(Z2)-NBL5 middle bobbin	H × 1	Middle bobbin 中釜
24	HS210031	Barrel bed cover(Short type)	H × 1	
25	A9012027	Hinge(TH-TN-72)	H × 1	
51		Hex.socket set screw SM1/4 40×4		
52		Hex.socket set screw M5×6		
53		Hex.socket bolt M5×15		
54		Pan screw M3×6		
55		Screw(SM11/64 40×5)		
56		Set screw(SM11/64 40×5)		

# 01B Head Bed B



From the library of: Diamond Needle Corp

BEVY-Y9C

BEDSHE-ZQ-BS

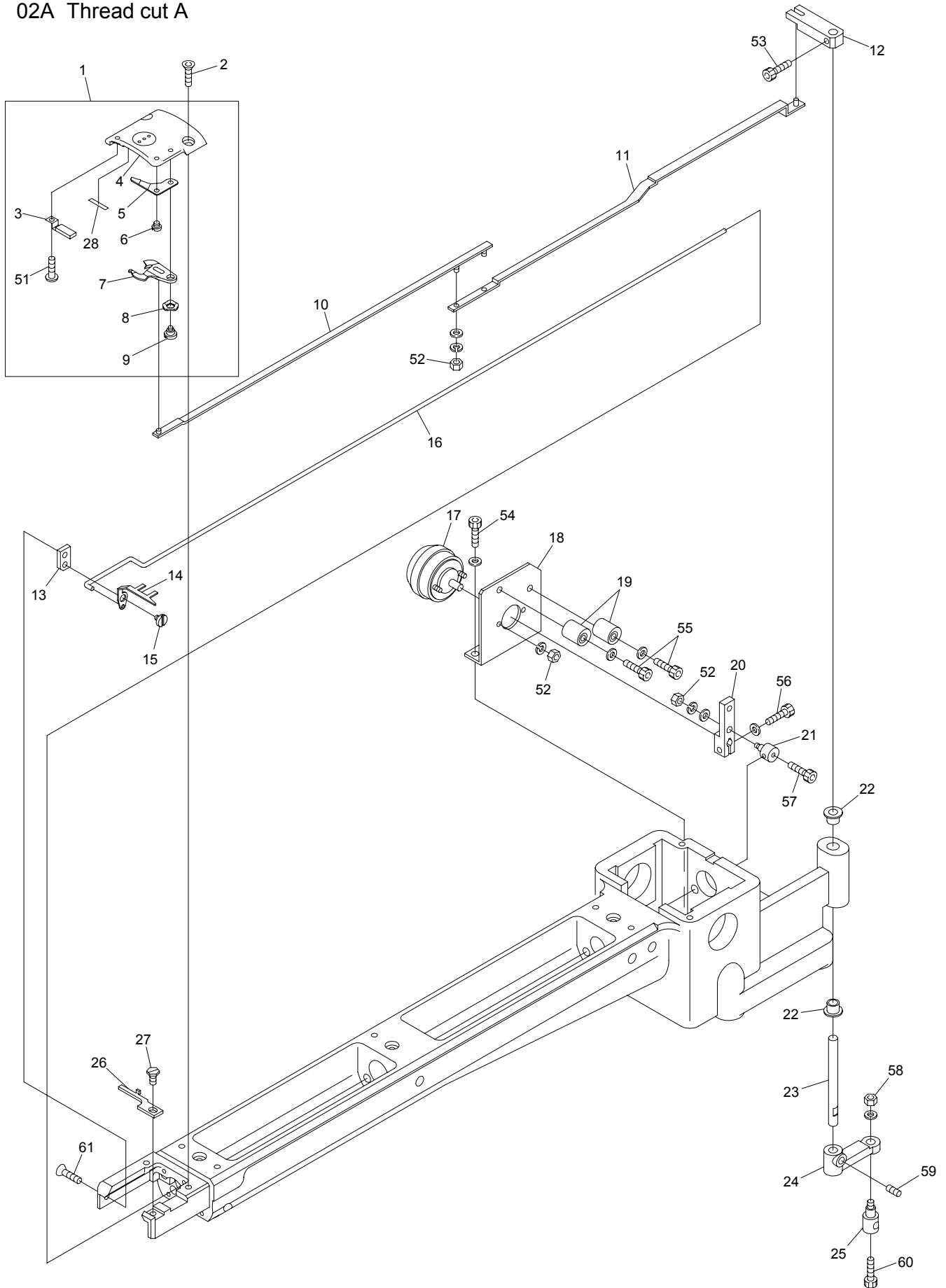
BEVS-Z12C/Z15C

BEVY-Z12C/Z15C

BEDLHE-Z12/ZQ-C



02A Thread cut A



From the library of: Diamond Needle Corp

BEVS-Z12C/Z15C

BEVY-Y9C

BEDSHE-ZQ-BS

BEVY-Z12C/Z15C

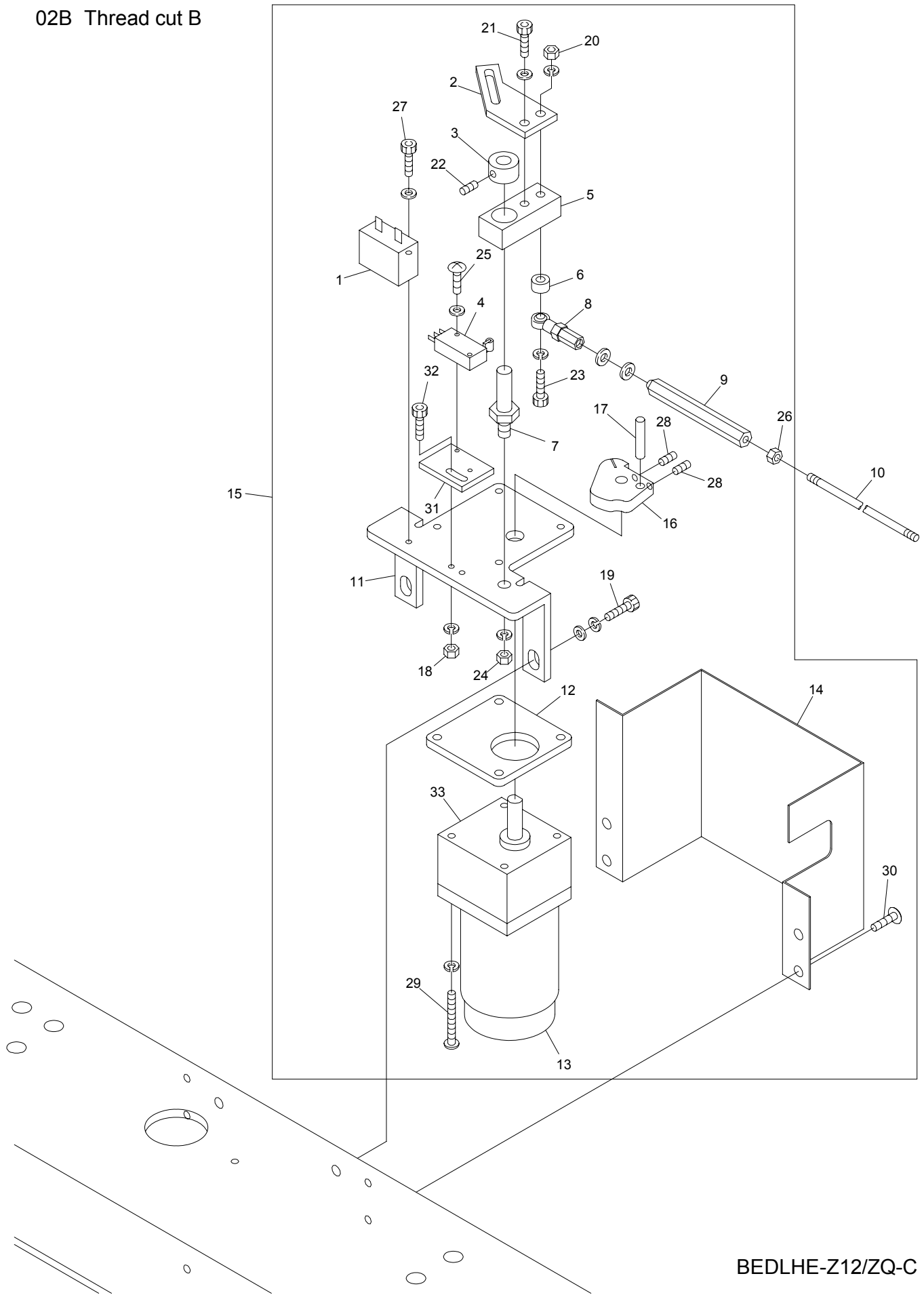
BEVT-Z1201C/Z1501C

BEDLHE-Z12/ZQ-C



ITEM	LIST No.	DESCRIPTION	Q' TY	NOTE
1	SJ270121	Throat plate a'ssy(With lower thread support) Barrel frame correspondence	H × 1	
2	KX250080	Throat plate set screw(Hex.socket)	H × 2	
3	HT270182	Lower thread support stay(Cylinder) CMP	H × 1	
4	SJ270020	Cylinder throat plate Barrel frame correspondence	H × 1	
5	SJ270040	Fixed knife barrel frame correspondence	H × 1	
6	KX270010	Fixed knife set screw	H × 1	
7	SJ270030	Driving knife barrel frame correspondence	H × 1	
8	A9013066	Wave washer(WW5)(SK)	H × 1	
9	KN272010	Lower thread knife rotary shaft	H × 1	
10	HS210111	Lower thread knife drive rod A	H × 1	
11	HS210121	Lower thread knife drive rod B	H × 1	
12	HS210100	Lower thread knife drive lever upper	H × 1	
13	HS210051	Hook fixed stay(Short type)	H × 1	
14	HS210300	Hook(Cylinder MK5)	H × 1	
15	KC271001	Upper thread knife rotary shaft	H × 1	
16	HS210070	Hook drive rod	H × 1	
17	A9056008	Rotary solenoid 3ER25-35×3×8×9	H × 1	
18	SJ210040	Solenoid stay(Short small bobbin)	H × 1	
	HS210060	Solenoid stay(For middle bobbin)	H × 1	
19	KN272401	Stopper eccentric	H × 2	
20	KC271940C	Soleroid lever A	H × 1	
21	HS210080	Connecting clamp	H × 1	
22	A9011284	DU bush with flange(K5F0606-12)	H × 2	
23	HS210090	Knife lever rotary shaft	H × 1	
24	KN271560C	Knife lever	H × 1	
25	HM270000	Connecting bar clamp	H × 1	
26	KX270000	Rotating hook bobbin case holder position	H × 1	
		bracket	H × 1	
27	KX270430	Screw(Cylinder)	H × 1	
28	SJ270110	Lower thread support hook and loop fastener (For cylinder)	H × 1	
51		Pan screw M3×3		
52		Hex.nut M3		
53		Hex.socket bolt M4×6		
54		Hex.socket bolt M4×8(With plain washer)		
55		Hex.socket bolt M4×18		
56		Hex.socket bolt M4×10		
57		Hex.socket bolt M3×5		
58		Hex.nut M4		
59		Hex.socket set screw M5×6		
60		Hex.socket bolt M4×8		
61		Hex.socket flush screw M4×6		

02B Thread cut B



From the library of: Diamond Needle Corp

BEVY-Y9C

BEDSHE-ZQ-BS

BEVS-Z12C/Z15C

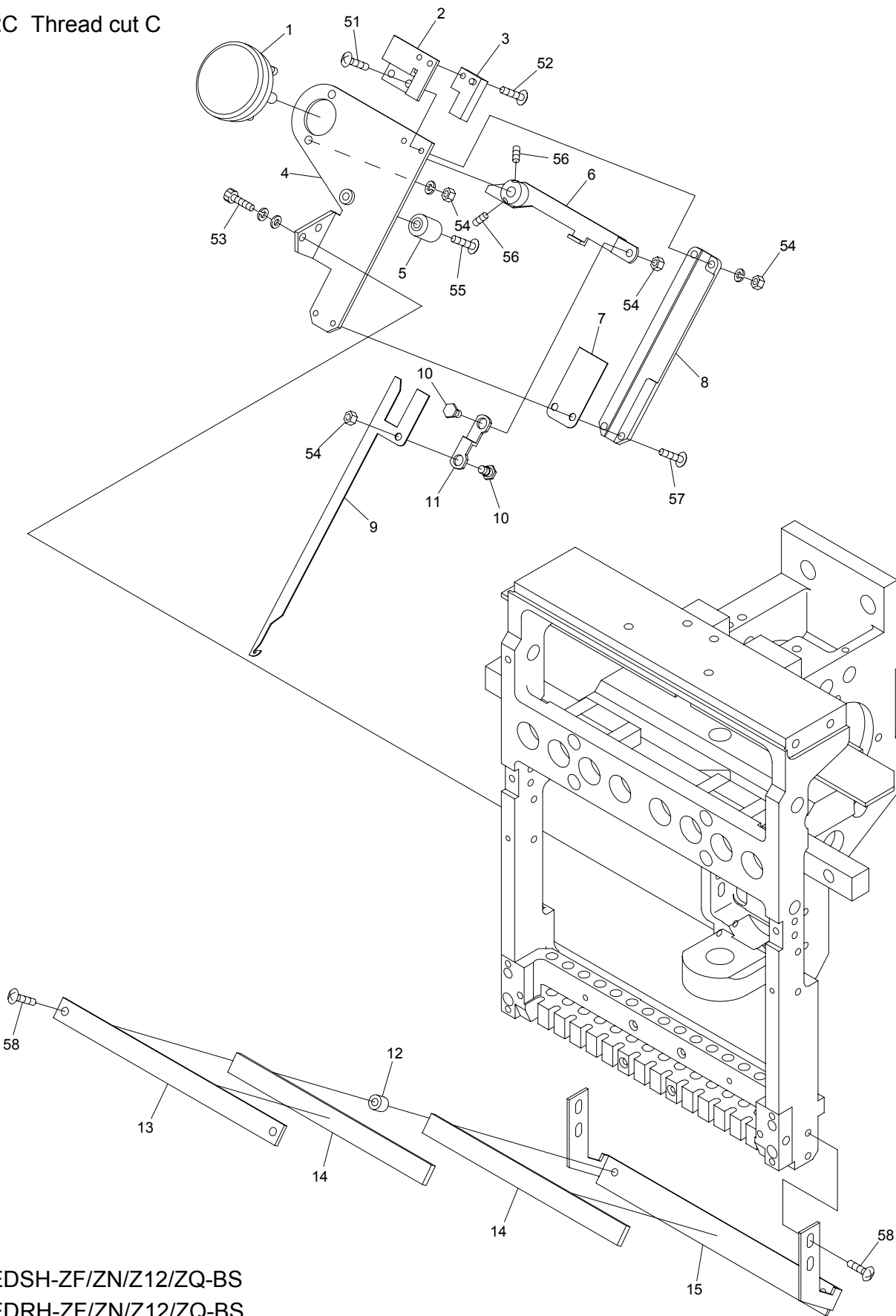
BEDLHE-Z12/ZQ-C

BEVY-Z12C/Z15C

## 02B Thread cut B

ITEM	LIST No.	DESCRIPTION	Q' TY	NOTE
1		Condenser(CH45UL)	1	Motor accessory モーター付属品
2	HS270030	Motor cam lever	1	
3	KC330180	Collar φ10	1	
4	A9052078	Micro switch(D2VW-01L2A-1)	1	
5	KN271782	Drive lever	1	
6	HM270010	Motor lever collar	1	
7	KN271750	Motor lever rotary shaft	1	
8	A9012002	Uniball joint(PR-6)	1	
9	KC330510	Hex.connecting rod(Large)	1	
10	KC330410	Lock connecting rod(2M)	3	
11	SJ270070	Thread cutter motor bracket (Barrel frame correspondence)	1	
12	SJ270080	Motor spacer(Barrel frame correspondence)	1	
13	A9065092	Reversible motor 3RJ10GB-AUL-E4	1	
14	SJ270060	Thread cutter central drive cover (Barrel frame correspondence)	1	
15	SJ270100	Thread cutter central drive a'ssy MK5 (Barrel frame) CE	1 set	Z12
	SJ270050	Thread cutter central drive a'ssy MK5 (Barrel frame)	1 set	Z15
16	SJ270090	Drive cam(Barrel frame correspondence)	1	
17	KN272350	Drive pin	1	
18		Hex.nut M3		
19		Hex.socket bolt M8×20		
20		Hex.nut M6		
21		Hex.socket bolt M6×12		
22		Hex.socket set screw M5×6		
23		Hex.socket bolt M6×55		
24		Hex.nut M8		
25		Truss screw M3×15,M3×20		
26		Hex.nut M5		
27		Hex.socket bolt M4×10		
28		Hex.socket set screw M5×6		
29		Pan screw M5×65		
30		Truss screw M6×10		
31	HS270070	Switch fixed bracket(Cylinder)		
32		Hex.socket bolt M4×12		
33	A9065107	Gear head 3GB36K	1	
	A9053082	Thread cutter motor cable 0.75×6×4M	1	

02C Thread cut C



From the library of: Diamond Needle Corp

BEDSH-ZF/ZN/Z12/ZQ-BS

BEDRH-ZF/ZN/Z12/ZQ-BS

BEDSHE-ZQ-BS

BEVS-Z9/Z12/Z15

BEVS-Z12C/Z15C

BEDYH-Z12/ZQ

BEDYH-Z12-C

BEDLH-Z12/ZQ

BEDLH-Z12-C

BEDLHE-Z12/ZQ-C

BEVY-Z12/Z15

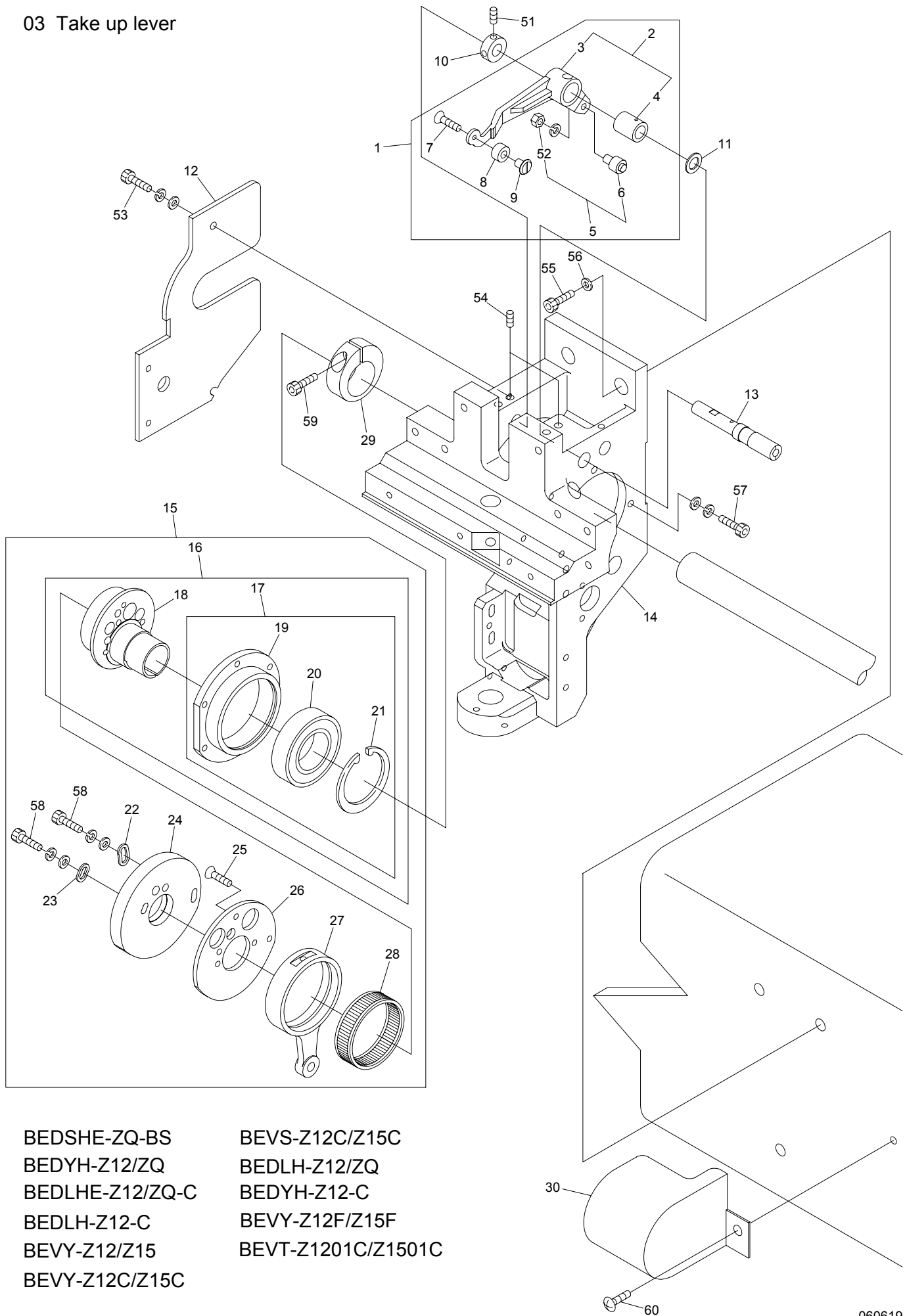
BEVY-Z12F

BEVY-Z12C/Z15C

BEVT-Z1201C/Z1501C



### 03 Take up lever



From the library of: Diamond Needle Corp

BESHE-ZQ-BS  
 BEDYH-Z12/ZQ  
 BEDLHE-Z12/ZQ-C  
 BEDLH-Z12-C  
 BEVY-Z12/Z15  
 BEVY-Z12C/Z15C

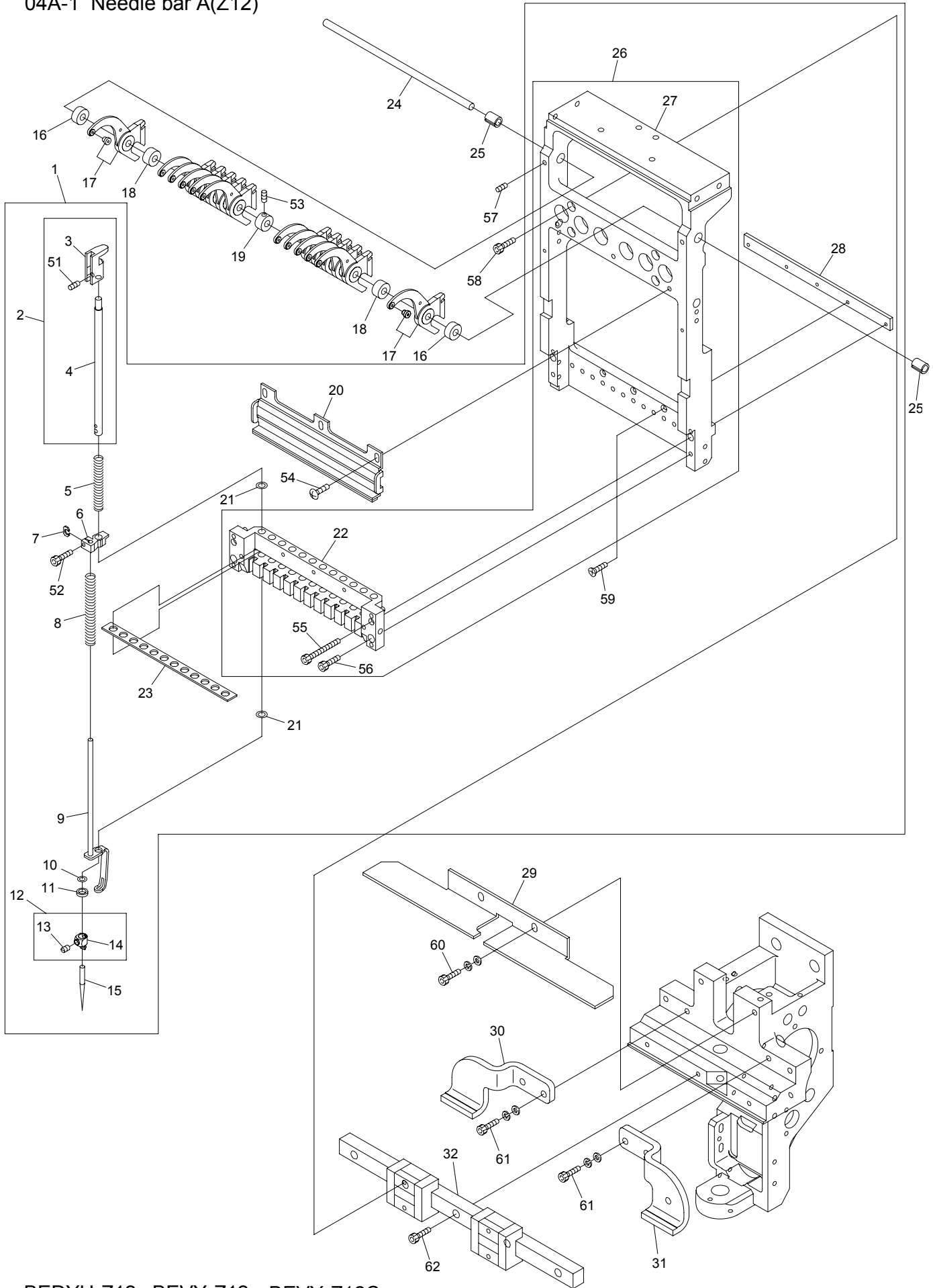
BEVS-Z12C/Z15C  
 BEDLH-Z12/ZQ  
 BEDYH-Z12-C  
 BEVY-Z12F/Z15F  
 BEVT-Z1201C/Z1501C

## 03 Take up lever

(H=Head Q' TY)

ITEM	LIST No.	DESCRIPTION	Q' TY	NOTE
1	RV230070	Take up lever driving lever a'ssy	H × 1	
2	RH230801	Take up lever driving lever(Metal)	H × 1	
3	RH230311	Take up lever driving lever	H × 1	
4	RH230810	Take up lever metal	H × 1	
5	KF230501	Take up lever roller a'ssy	H × 1	
6	KF230680	Cam followers(KR×4×7.9×15-1P×1)	H × 1	
7	HB230650	Flush screw(With adhesion)	H × 1	
8	RV230060	Take up lever driving roller	H × 1	
9	RD230130	Take up lever driving roller shaft	H × 1	
10	HB230800	Take up lever drive lever fixed pin set collar	H × 1	
11	RH230610	Thrust washer	H × 1	
12	SL230130	Arm reinforcement bracket	H × 1	
13	RH230320	Take up lever driving lever fixing pin	H × 1	
14	SL210090	Arm	H × 1	1st head 1頭目
	SL210081	Arm	H × 1	Except for 1st head 1頭目除く
15	SG230350	Take up lever · Needle bar drive a'ssy	H × 1	
16	RN230010	Needle bar driving cam a'ssy	H × 1	
17	RN230030	Bearing case a'ssy	H × 1	
18	RN230020C	Needle bar driving cam(Eccentric 9.2 φ20)	H × 1	
19	RN230040	Bearing case	H × 1	
20	A9010073	Ball bearing(6005ZZ)	H × 1	
21	A9012421	C-ring for hole φ47	H × 1	
22	HB230080C	Washer for cam(2)	H × 1	
23	HB230070C	Washer for cam(1)	H × 1	
24	SG230340	Take up lever cam H6RN(φ20)	H × 1	
25	HB230620	Flush screw	H × 3	
26	RH230300	Take up lever cam base	H × 1	
27	RH230280	Needle bar crank rod	H × 1	
28	RH230271	Needle bearing	H × 1	
29	RH230330	Needle bar driving cam set collar	H × 1	
30	SJ250240	Side cover(First head) DYHE	1	
51		Hex.socket set screw M4×4(With adhesion)		
52		Hex.nut M4(With spring washer)		
53		Hex.socket bolt M4×10(With washers)		
54		Hex.socket set screw M5×5		
55		Hex.socket bolt M8×25		
56		Disc spring 8		
57		Hex.socket bolt M4×15(With washers)		
58		Hex.socket bolt M4×8		
59		Hex.socket bolt M5×18		
60		Truss screw M5×8		

04A-1 Needle bar A(Z12)



From the library of: Diamond Needle Corp

BEDYH-Z12 BEVY-Z12 BEVY-Z12C  
BEDLH-Z12

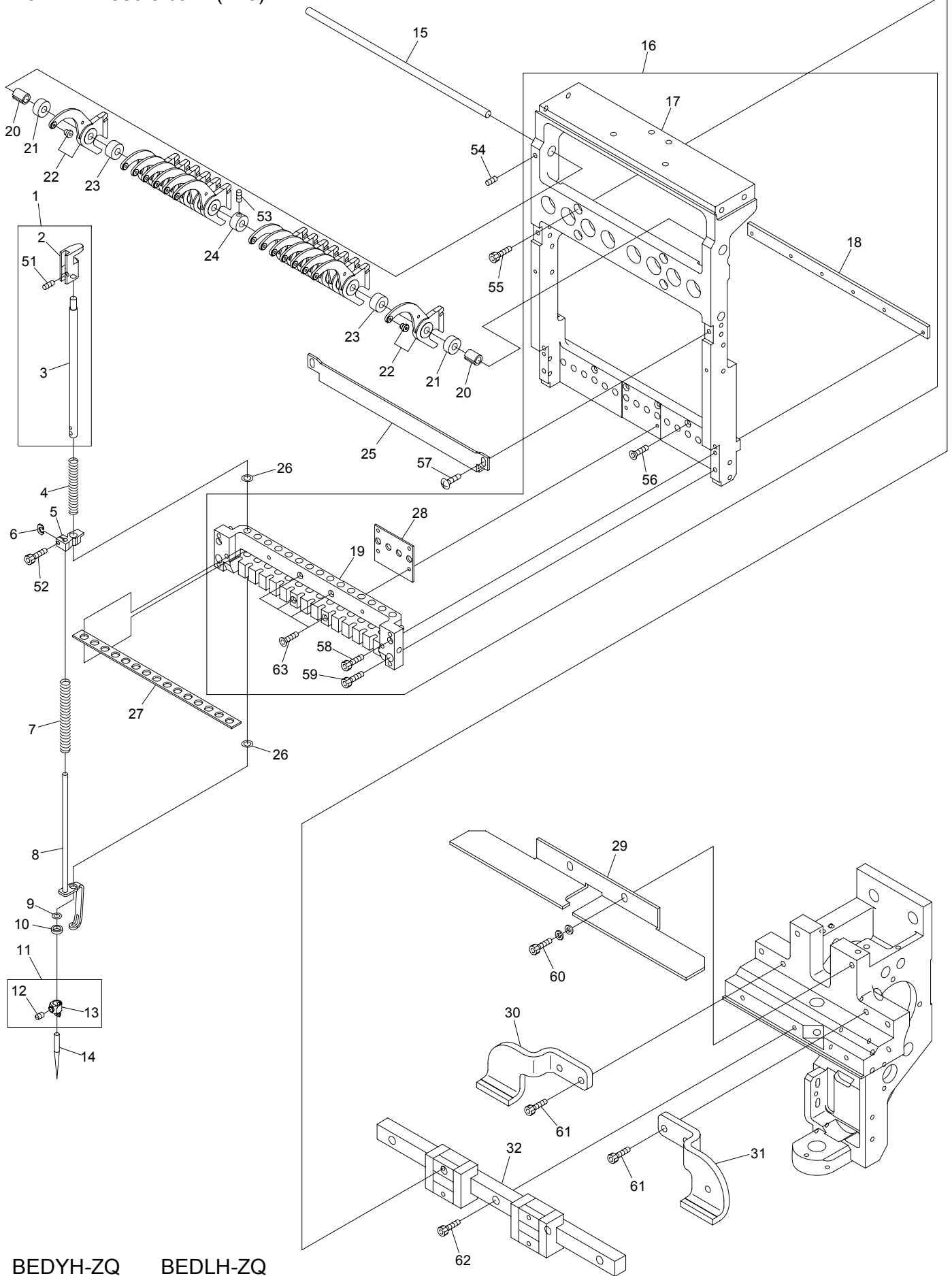


## 04A-1 Needle bar A(Z12)

(H=Head Q' TY)

ITEM	LIST No.	DESCRIPTION	Q' TY	NOTE
1	SG230330	Slide block a'ssy	H × 1	
2	RD230480	Needle bar a'ssy	H × 12	
3	RD230490	Needle bar guide	H × 12	
4	RH230410	Needle bar	H × 12	
5	KV230040	Needle bar spring(Upper,for thick type)	H × 12	
6	HT230330	Cloth hold set clamp	H × 12	
7	HT230263	Washer for set clamp	H × 12	
8	SG230220	Needle bar spring lower	H × 12	
9	RD230370	Cloth hold(ZQ4)	H × 12	
10	KF230910	O-ring(AN6227-5)	H × 12	
11	HT230120	Washer 2.4	H × 12	
12	RH230440	Needle clamp(With hook,set screw)	H × 12	
13	RH230460	Needle clamp screw	H × 12	
14	RH230450	Needle clamp(With hook)	H × 12	
15	FN070011RG	Needle(DBXK5 11RG)	H × 12	
16	SG230230	Take up lever spacer(t=6.1)	H × 2	
17	KX230152	Take up lever(ZN multi)	H × 12	
18	KX230141	Take up lever spacer	H × 10	
19	RD230201	Take up lever spacer collar	H × 1	
20	SG230040	Needle bar stocker	H × 1	
21	A9014167	O-ring SS065	H × 24	
22	SG230070	Needle bar base	H × 1	
23	SG230150	Needle bar felt	H × 1	
24	SG230140	Take up lever shaft(Z12)	H × 1	
25	SG230200	Take up lever collar(Z12)	H × 2	
26	SG230050	Slide block set	H × 1-1	Except for 1st head
	SG230360	Slide block set (For color change connecting head)	1	1st head 1頭目
27	SG230060	Slide block	H × 1	
28	SG230110	Bearing plate	H × 1	
29	SG230410	Take up lever stocker(Z12)	H × 1	
30	SL230200	LM-guide support left	H × 1	1st head 1頭目
31	SL230190	LM-guide support right	H × 1	1st head 1頭目
32	SG230390	LM-guide(Z12)	H × 1	
51		Hex.socket double point screw M4×4		
52		Hex.socket bolt M3×8		
53		Hex.socket set screw M4×4		
54		Truss screw M4×8		
55		Hex.socket bolt M3×35		
56		Hex.socket bolt M4×12		
57		Hex.socket set screw M4×8		
58		Hex.socket bolt M4×10		
59		Hex.socket flush screw M3×14		
60		Hex.nut M4(With washers)		
61		Hex.socket bolt M5×18(With washers)		
62		Hex.socket bolt M4×14		

04A-2 Needle bar A(Z15)



BEDYH-ZQ  
BEVS-Z15C  
BEVY-Z15

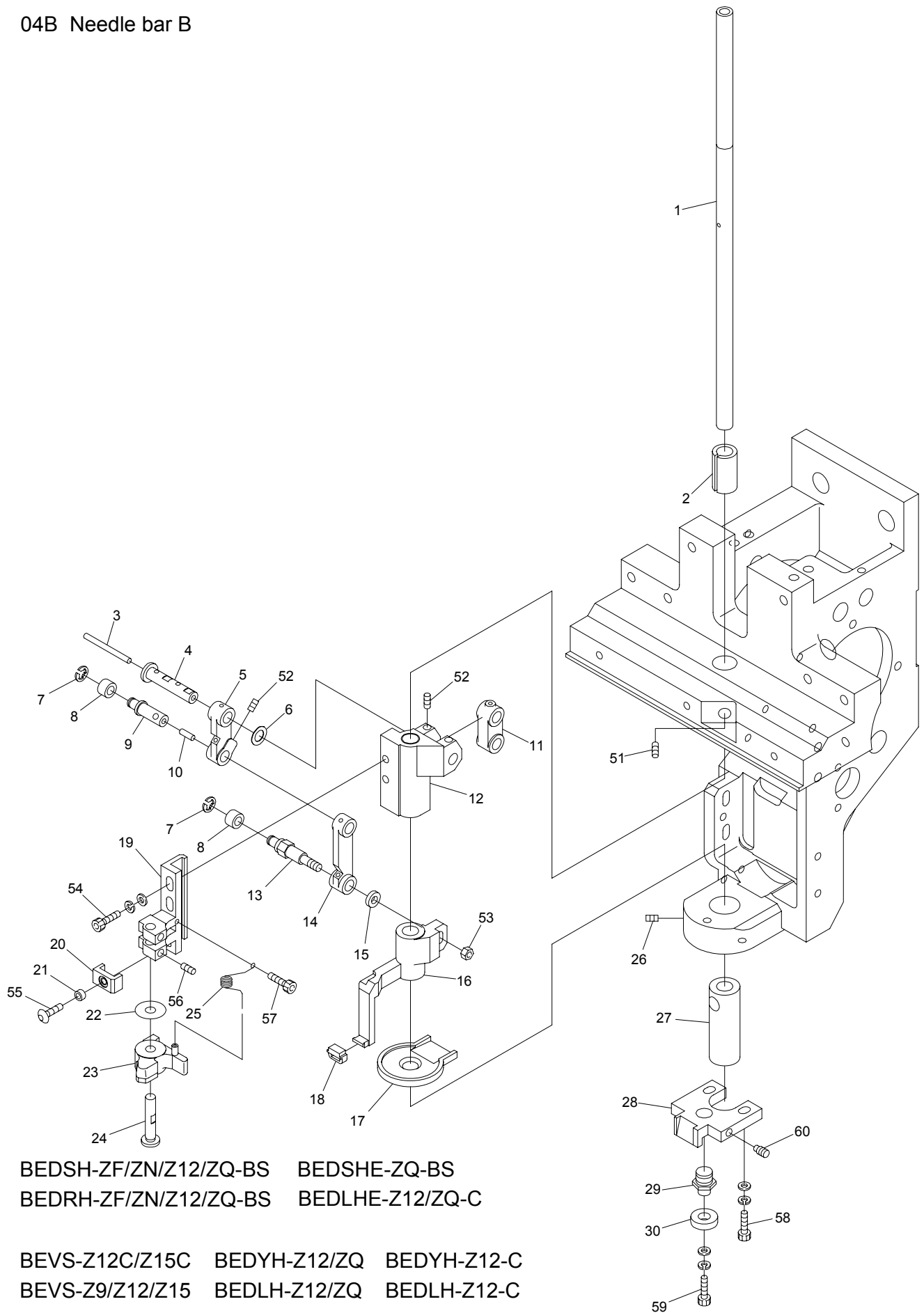
BEDLH-ZQ  
BEVY-Z15C

## 04A-2 Needle bar A(Z15)

(H=Head Q' TY)

ITEM	LIST No.	DESCRIPTION	Q' TY	NOTE
1	RD230480	Needle bar a'ssy	H×15	
2	RD230490	Needle bar guide	H×15	
3	RH230410	Needle bar	H×15	
4	KV230040	Needle bar spring(Upper,for thick type)	H×15	
5	HT230330	Cloth hold set clamp	H×15	
6	HT230263	Washer for set clamp	H×15	
7	SG230220	Needle bar spring lower	H×15	
8	RD230370	Cloth hold(ZQ4)	H×15	
9	KF230910	O-ring(AN6227-5)	H×15	
10	HT230120	Washer 2.4	H×15	
11	RH230440	Needle clamp(With hook,set screw)	H×15	
12	RH230460	Needle clamp screw	H×15	
13	RH230450	Needle clamp(With hook)	H×15	
14	FN070011RG	Needle(DBXK5 11RG)	H×15	
15	SL230070	Take up lever shaft(ZQ6)	H×1	
16	SL230001	Slide block set(ZQ6)	H×1-1	Except for 1st head
	SL230011	Slide block set (For color change connecting head)	1	1st head 1頭目
17	SL230021	Slide block	H×1	
18	RD230060	Bearing plate	H×1	
19	SL230031	Needle bar base	H×1	
20	SG230200	Take up lever collar(Z12)	H×2	
21	SG230230	Take up lever spacer(t=6.1)	H×2	
22	KX230152	Take up lever(ZN multi)	H×15	
23	KX230141	Take up lever spacer	H×13	
24	RD230201	Take up lever spacer collar	H×1	
25	SL230040	Needle bar stocker(ZQ6)	H×1	
26	A9014167	O-ring SS065	H×30	
27	SL230080	Needle bar felt	H×1	
28	SL230090	Slide block sim	H×1	
29	RV230180	Take up lever stocker	H×1	
30	SL230200	LM-guide support left	H×1	1st head 1頭目
31	SL230190	LM-guide support right	H×1	1st head 1頭目
32	SL230140	LM-guide(ZQ6)	H×1	
51		Hex.socket double point screw M4×4		
52		Hex.socket bolt M3×8		
53		Hex.socket set screw M4×4		
54		Hex.socket set screw M4×8		
55		Hex.socket bolt M4×10		
56		Hex.socket flush screw M3×14		
57		Truss screw M4×8		
58		Hex.socket bolt M3×35		
59		Hex.socket bolt M4×12		
60		Hex.socket bolt M5×15(With washers)		
61		Hex.socket bolt M5×18(With washers)		
62		Hex.socket bolt M4×14		

04B Needle bar B



From the library of: Diamond Needle Corp

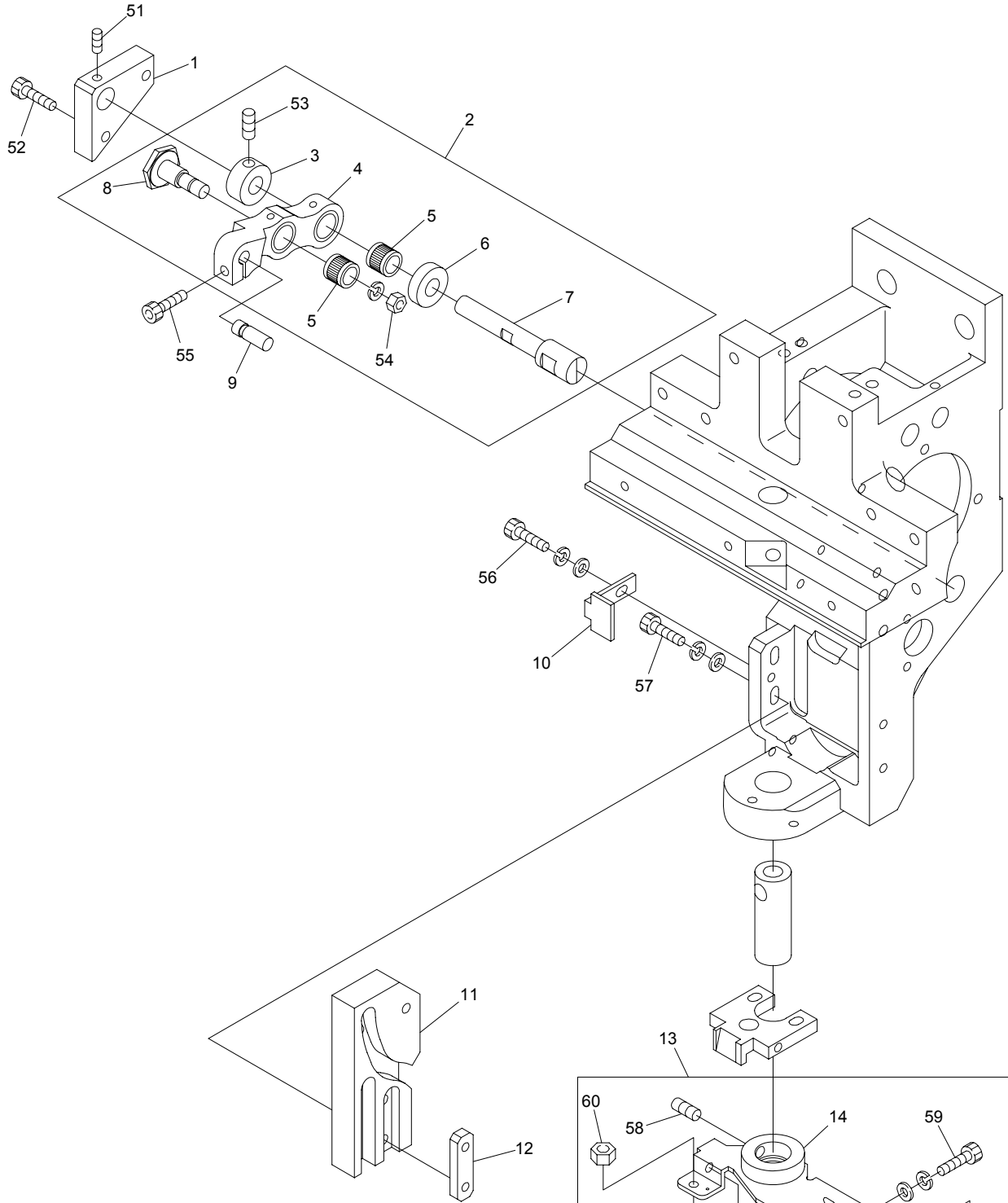
BEDSH-ZF/ZN/Z12/ZQ-BS    BEDSHE-ZQ-BS  
 BEDRH-ZF/ZN/Z12/ZQ-BS    BEDLHE-Z12/ZQ-C

BEVS-Z12C/Z15C    BEDYH-Z12/ZQ    BEDYH-Z12-C  
 BEVS-Z9/Z12/Z15    BEDLH-Z12/ZQ    BEDLH-Z12-C

BEVY-Z12/Z15    BEVY-Z12F    BEVY-Z12C/Z15C    BEVT-Z1201C/Z1501C



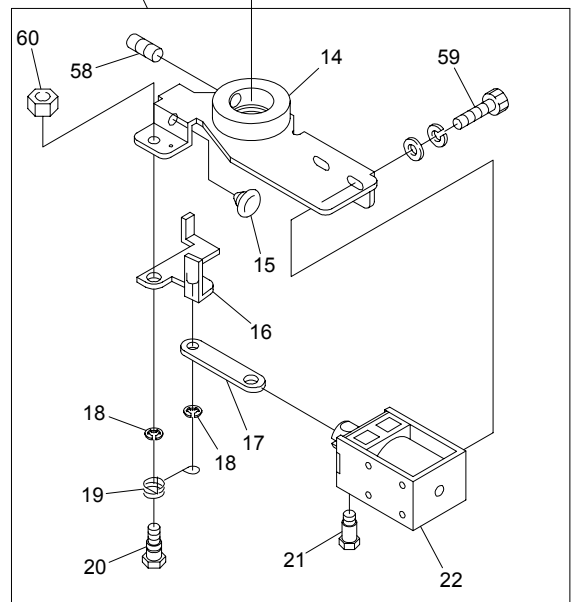
04C Needle bar C



BEDSH-ZF/ZN/Z12/ZQ-BS  
 BEDRH-ZF/ZN/Z12/ZQ-BS  
 BEDSHE-ZQ-BS  
 BEDLHE-Z12/ZQ-C

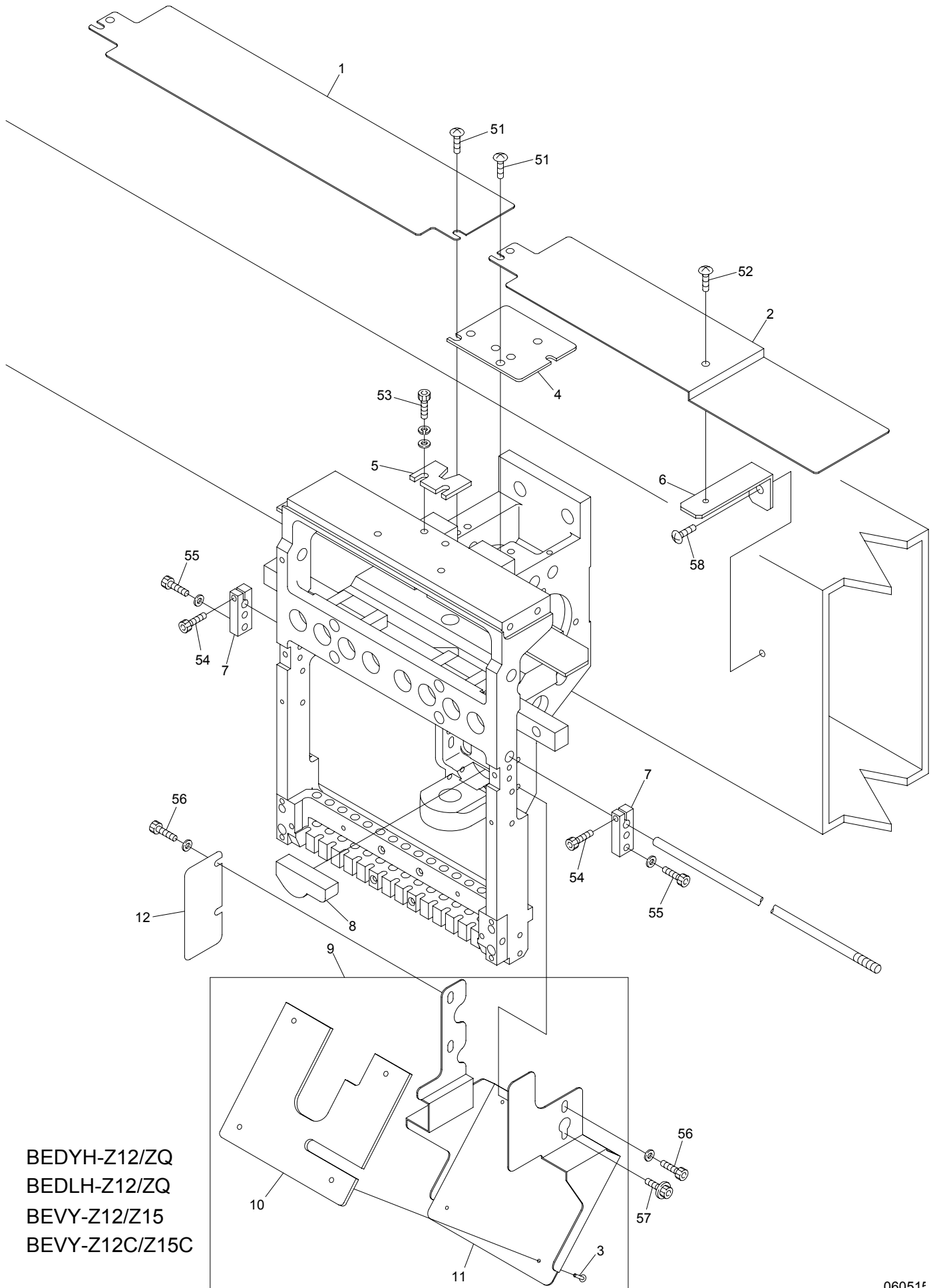
BEVS-Z12C/Z15C    BEDYH-Z12/ZQ    BEDYH-Z12-C  
 BEVS-Z9/Z12/Z15    BEDLH-Z12/ZQ    BEDLH-Z12-C

BEVY-Z12/Z15    BEVY-Z12F    BEVY-Z12C/Z15C  
 BEVT-Z1201C/Z1501C





# 04D Needle bar D

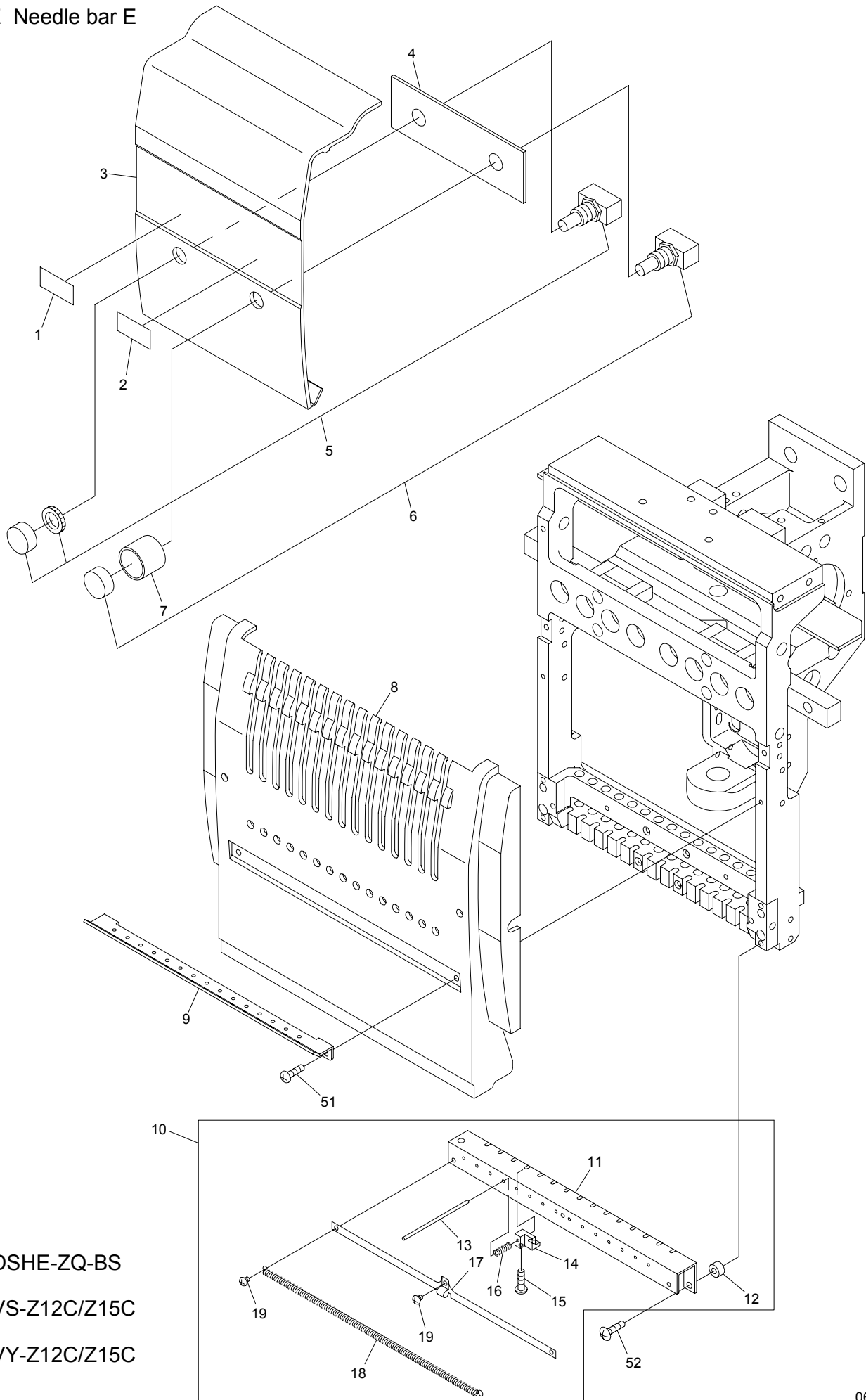


BEDYH-Z12/ZQ  
BEDLH-Z12/ZQ  
BEVY-Z12/Z15  
BEVY-Z12C/Z15C





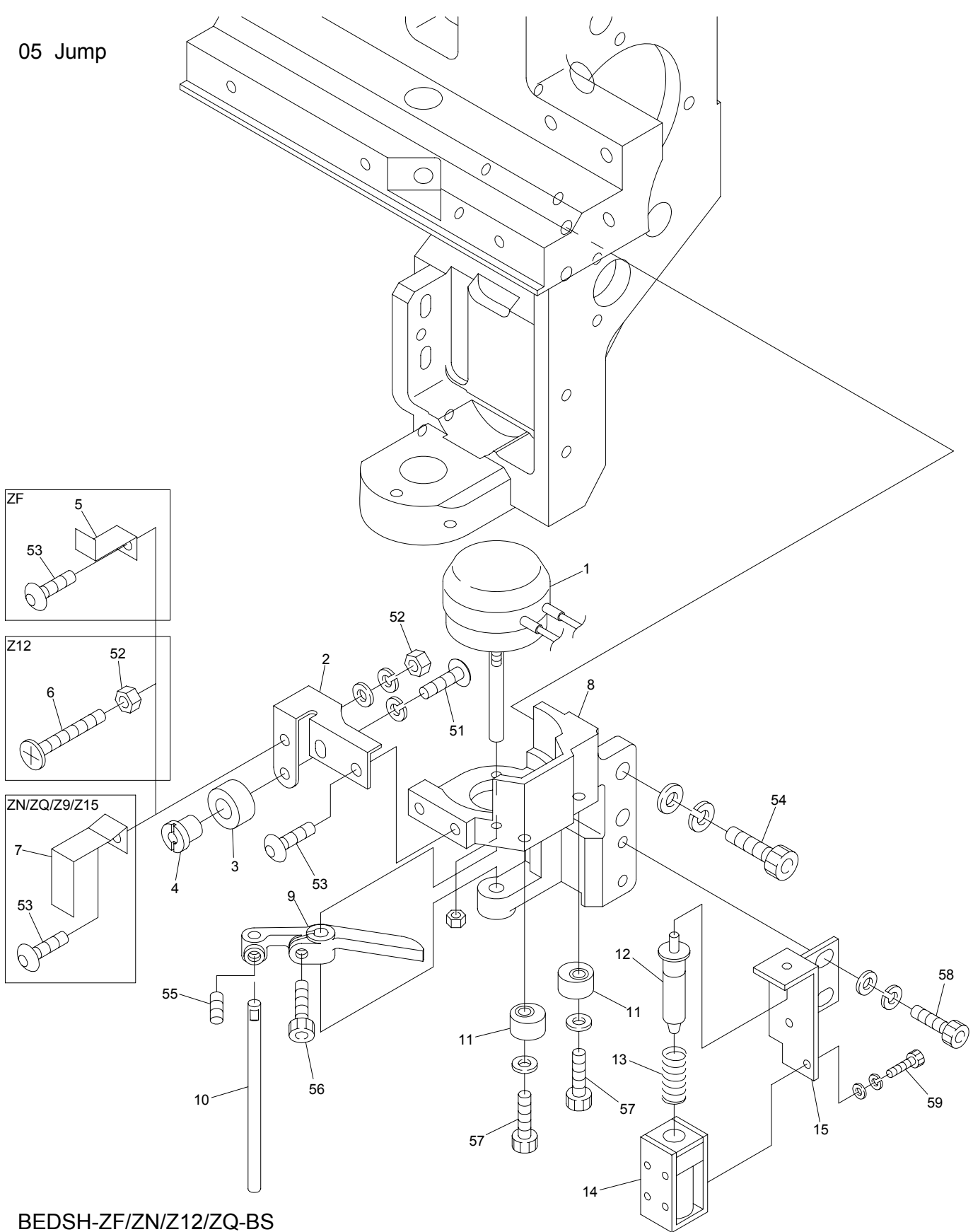
04E Needle bar E



BEDSHE-ZQ-BS  
BEVS-Z12C/Z15C  
BEVY-Z12C/Z15C



05 Jump



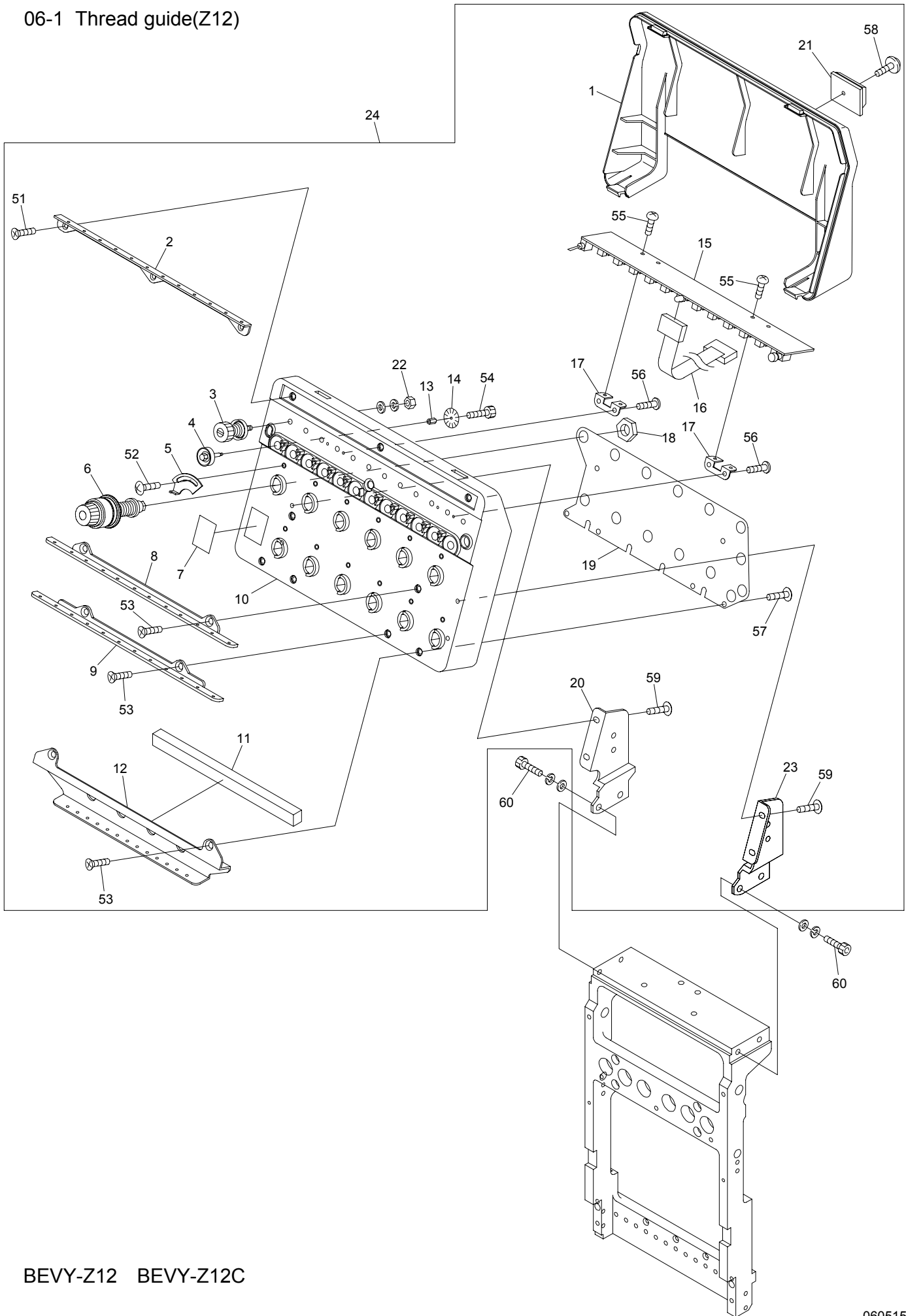
BEDSH-ZF/ZN/Z12/ZQ-BS  
 BEDRH-ZF/ZN/Z12/ZQ-BS

BEDSHE-ZQ-BS BEVS-Z9/Z12/Z15 BEVS-Z12C/Z15C BEDYH-Z12/ZQ  
 BEDLH-Z12/ZQ

BEDYH-Z12-C BEVY-Z12/Z15 BEVY-Z12F BEVY-Z12C/Z15C BEDLHE-Z12/ZQ-C  
 BEDLH-Z12-C



# 06-1 Thread guide(Z12)

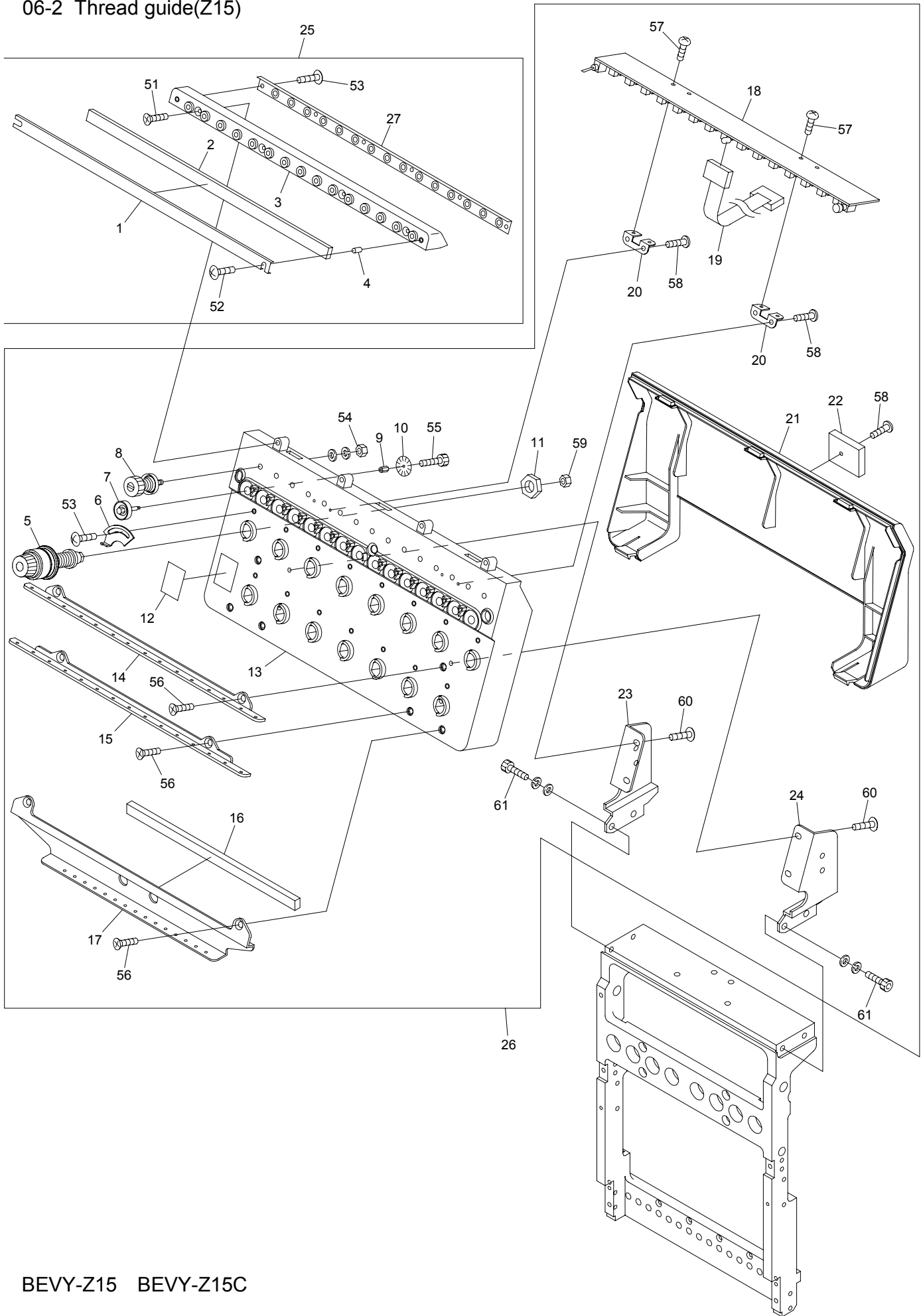


From the library of: Diamond Needle Corp

BEVY-Z12 BEVY-Z12C



06-2 Thread guide(Z15)



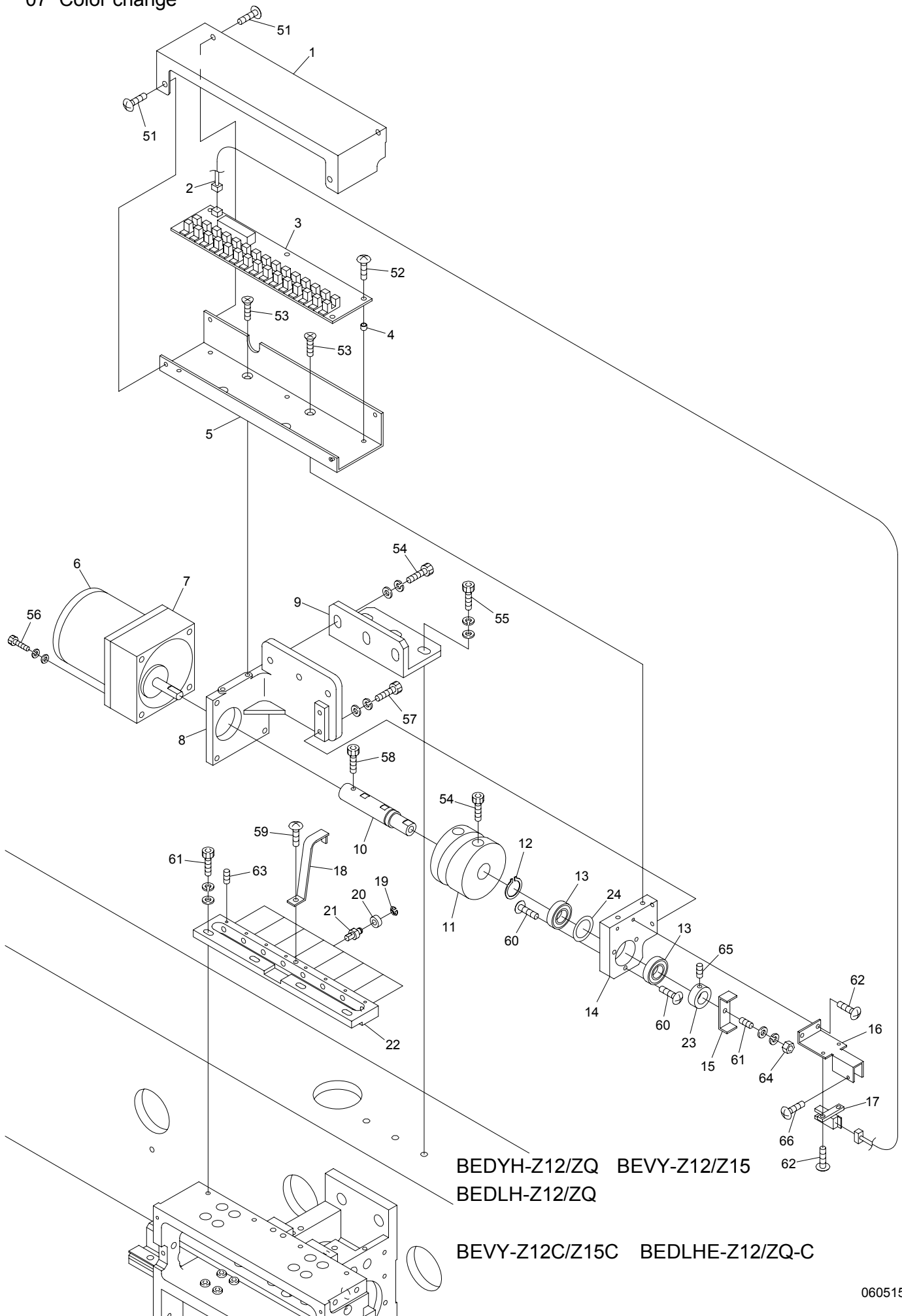
From the library of: Diamond Needle Corp

BEVY-Z15 BEVY-Z15C



ITEM	LIST No.	DESCRIPTION	Q' TY	NOTE
1	RV240100	Felt frame(DSH-ZQ)	H × 1	
2	RV240110	Felt(DSH-ZQ)	H × 1	
3	PG240040	Thread collar base(VS-Z15)	H × 1	
4	A9012438	Felt hold spacer(DSH-ZQ)	H × 2	
5	RD240154	Dial tension a'ssy(DS)	H × 15	
6	RR240510	Thread spring adjusting plate	H × 15	
7	HT240290	Tension wheel a'ssy	H × 15	
8	RR240300	Tension a'ssy(DS)	H × 15	
9	KN540510	Tension wheel nut	H × 15	
10	HT240101	Lower thread detection sensor disk(YN)	H × 15	
11	HT240180	SM-nut	H × 15	
12	RR240390	Number label	H × 1	
13	PG240010	Tension base case a'ssy(VS-Z15)	H × 1	
14	RV240040	Thread guide plate upper(DSH-ZQ)	H × 1	
15	RV240050	Thread guide plate lower(DSH-ZQ)	H × 1	
16	RV240091	Sponge rubber(DSH-ZQ)	H × 1	
17	RV240062	Second thread guide plate(DSH-ZQ)	H × 1	
18	EBY02610	8560· switch board with thread detection	H × 1	
19	EBY01625	H1842 16 needle flat cable	H × 1	
20	RR240330	Switch board fixed base	H × 2	
21	PG240020	Tension base cover(VS-Z15)	H×1-1	Except for 1st head
	PP240010	Tension base cover(VY-Z15 1st head)	1	1st head
22	A9068032	FCW clamp(FCW-26)	H × 1	
23	RV240081	Tension base bracket· L(DSH-ZQ)	H × 1	
24	RV240071	Tension base bracket· R(DSH-ZQ)	H × 1	
25	PG240030	Thread collar base a'ssy(VS-Z15)	H × 1	
26	PG240000	Tension base a'ssy(VS-Z15)	H×1-1	Except for 1st head
	PP240000	Tension base a'ssy(VY-Z15) 1st head	1	1st head
27	RV240180	Tube holder(D-ZQ)	H × 1	
51		Flush screw M3×8		
52		Truss screw M3×14		
53		Truss screw M3×5		
54		Hex.nut SM11/64(With washers)		
55		Hex.socket bolt M2×3		
56		Flush screw M4×8		
57		Pan screw M3×4		
58		Pan head tapping screw B tight M3×8		
59		Hex.nut M4 I		
60		Truss screw M4×10		
61		Hex.socket bolt M5×15(With washers)		

# 07 Color change

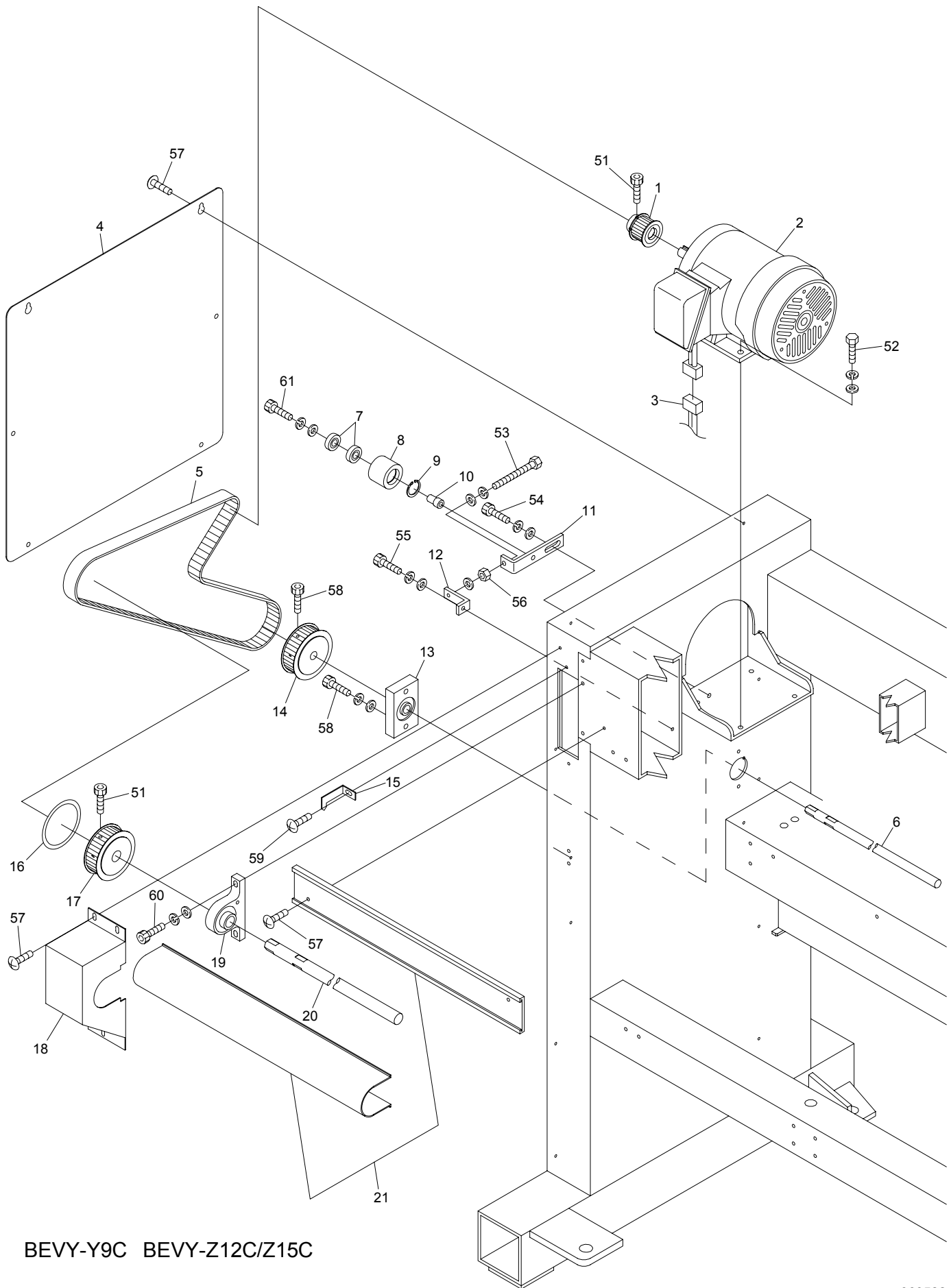


From the library of: Diamond Needle Corp

## 07 Color Change

ITEM	LIST No.	DESCRIPTION	Q' TY	NOTE
1	SC330110	Color change cover	1	
2	A9053079	Lock sensor cable Z type	1	
3	EBY01650	Color change board	1	
4	A9012208	Spacer(Roll bush) φ5×4L	5	
5	SC330100	Color change board base plate	1	
6	A9065092	Reversible motor 3RJ10GB-AUL-E4	1	
7	A9065093	Gear head 3GB18K	1	
8	SC330080C	Color change base	1	
9	SJ330021	Color change bracket(DYHE)	1	
10	SC330041	Color change cam connecting shaft	1	
11	SC330010	Color change cam(Compact)	1	
12	A9012068	C-ring(For shaft φ15)	1	
13	A9010113	Bearing 6901ZZ	2	
14	SC330091C	Color change bearing	1	
15	SC330052	Revolution sensor plate	1	
16	SC330061	sensor stay	1	
17	A9060063	Photo micro sensor EE-SX672A(OMRON)	1	
18	SC330120	Color change sense plate	1	
19	A9012127	E-ring φ3	7	Z12
			8	Z15
20	A9010063	Bearing MR105ZZ(NSK)	7	Z12
			8	Z15
21	SC330030	Connecting collar shaft	7	Z12
			8	Z15
22	SJ330041	Connecting block(Z12)	1	Z12
	SC330021	Connecting block(ZQ)	1	Z15
23	SJ330050	Color change set collar	1	
24	SJ330060	Shim ring(For color change)	1	
51		Truss screw M4×8(Chromate)		
52		Truss screw M4×8		
53		Flush screw M4×8		
54		Hex.socket bolt M6×15(Black)		
55		Hex.socket bolt M6×18(Black)		
56		Hex.socket bolt M4×60(With washers)		
57		Hex.socket bolt M4×8(Black)		
58		Hex.socket bolt M4×8		
59		Truss screw M4×6		
60		Truss screw M4×5		
61		Hex.socket set screw M6×20		
62		Truss screw M3×8		
63		Hex.socket set screw M3×4(With screw lock)		
64		Hex.nut M6		
65		Hex.socket set screw M4×5		
66		Truss screw M3×12		

08-1 Drive(2T/4T)



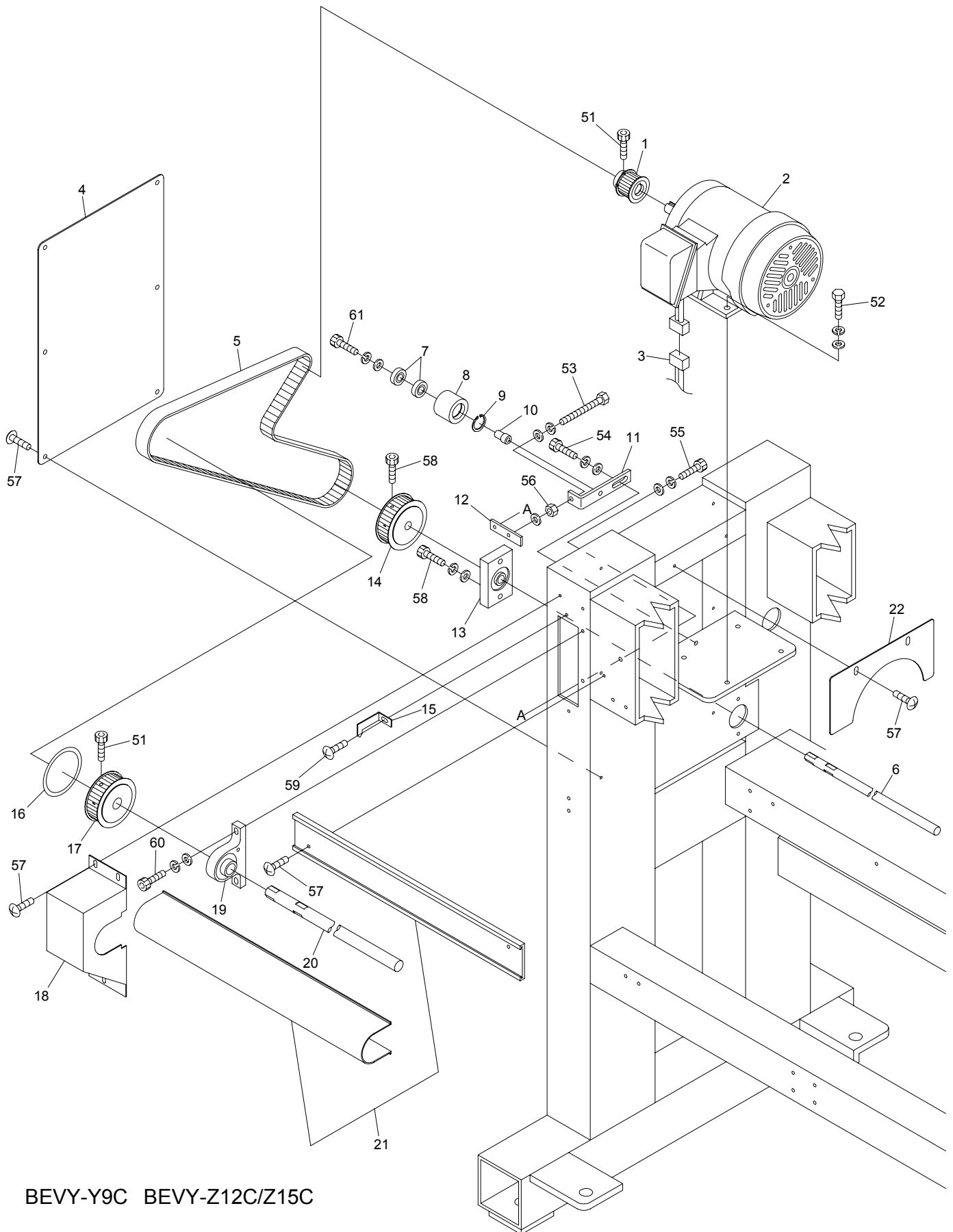
From the library of: Diamond Needle Corp

BEVY-Y9C BEVY-Z12C/Z15C

08-1 Drive (2T/4T)

ITEM	LIST No.	DESCRIPTION	Q' TY	NOTE
1	SC481370	Motor pulley(S5M-26,0.2kw)	1	2T
	RP310170	Motor pulley(S5M-26)	1	4T
2	RA310380	Main motor 1K-FCKL8-4P-0.2kw(ETL)	1	2T
	RP310201	Main motor IK-FBKK8-4P-0.55kw VF3(ETL)	1	4T
3	EP530030	Main motor cable(CE) DYHE	1	
	A9053081	Motor cable 1.25×4×5m	1	
4	SJ160030	Frame upper cover	2	
5	A9020180	Timing belt B250S5M1420	1	
6	SC310130	Lower shaft φ15(For 2T)	1	2T
	SC310110	Lower shaft φ15(For 4T)	1	4T
7	A9010003	Bearing 6001ZZ	2	
8	RQ310000	Idler	1	
9	A9012063	C-ring(For hole φ28)	1	
10	SC310021	Idler shaft	1	
11	SC310030	Idler bracket	1	
12	SC310150	Tension bracket	1	
13	SC310062	Lower shaft housing	1	
14	SC310010	φ15 lower shaft timing pulley(S5M-52)	1	
15	SC310050	Angle instructions plate	1	
16	SC310100	Rotary angle label	1	
17	SC310000	φ20 upper shaft timing pulley(S5M-52)	1	
18	SJ250041	Pulley box(DYHE)	1	
19	SC310071	Upper shaft housing	1	
20	SC310140	Upper shaft φ20(For 2T)	1	2T
	SC310120	Upper shaft φ20(For 4T)	1	4T
21	1SPP5205200	Shaft mogol & cover(VY-C,520/520)	1	P=520
	1SPP3803800	Shaft mogol & cover(VY-C,380/380)	1	P=380
51		Hex.socket bolt M6×15(Black)		
52		Hex.bolt M8×20		
53		Hex.bolt M6×60(Full screw)		
54		Hex.socket bolt M8×20(Black)		
55		Hex.socket bolt M6×15(Chromate)		
56		Hex.nut M6		
57		Truss screw M5×10		
58		Hex.socket bolt M5×8		
59		Truss screw M5×6		
60		Hex.socket bolt M6×18(Black)		
61		Hex.socket bolt M8×35(Black)		

08-2 Drive(6T/8T)

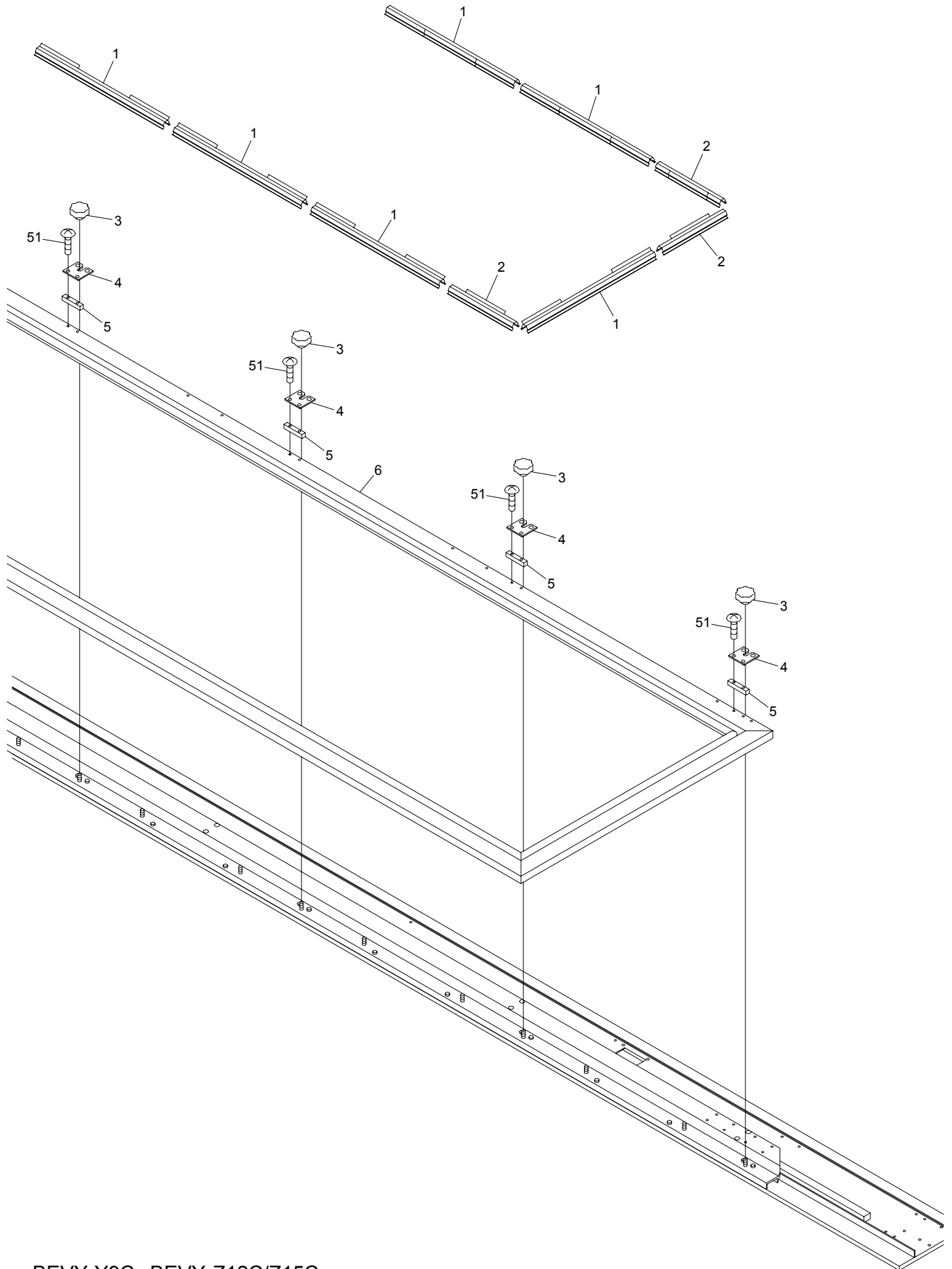


From the library of: Diamond Needle Corp

BEVY-Y9C BEVY-Z12C/Z15C



# 10A Pantograph drive A



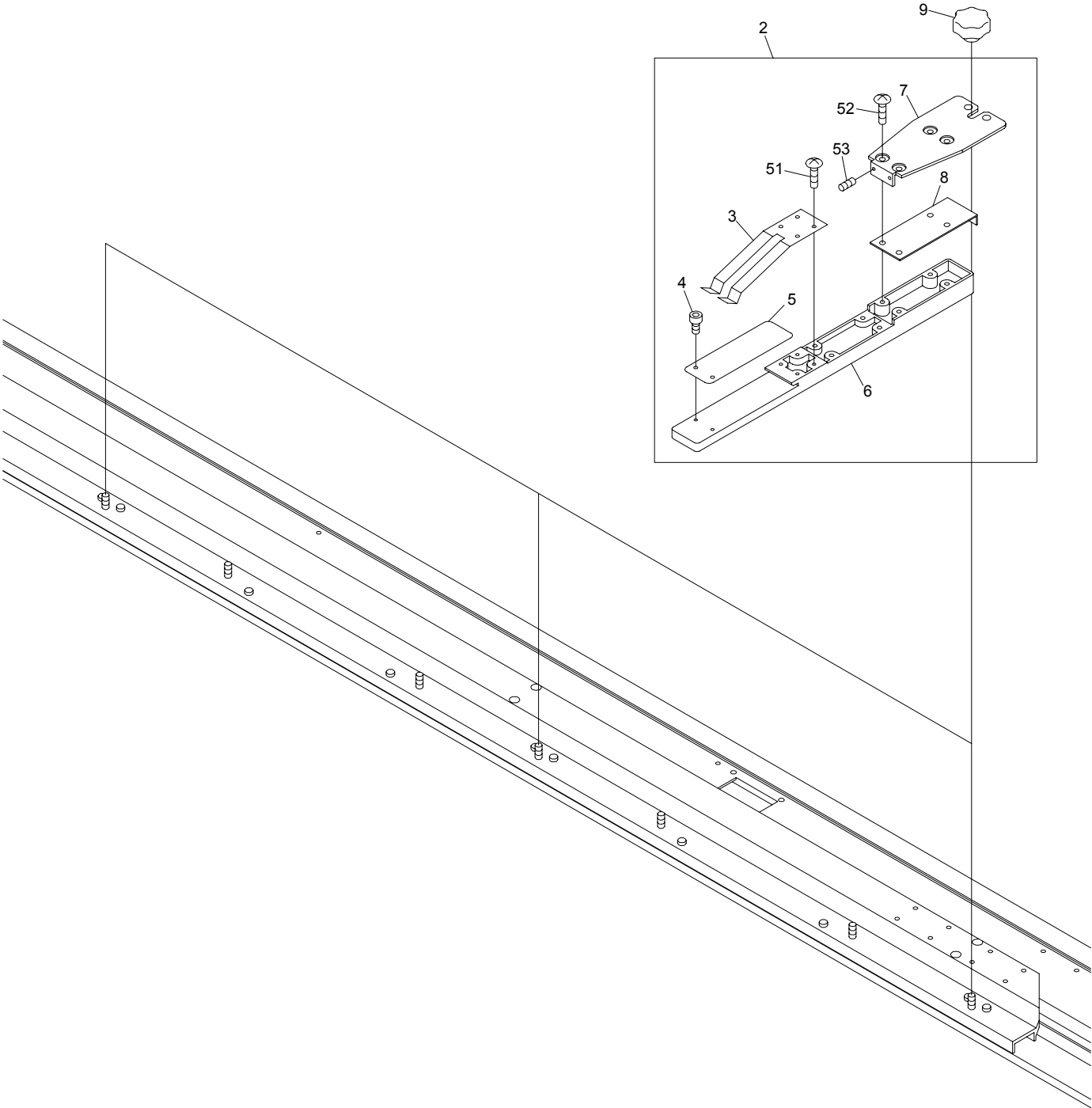
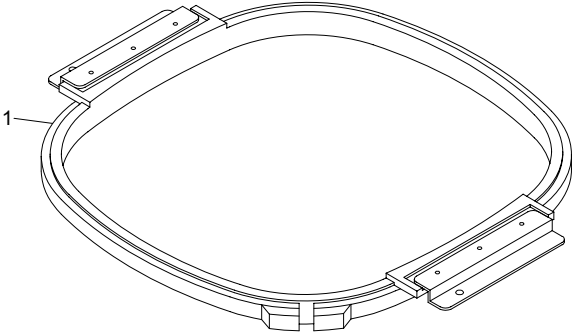
From the library of: Diamond Needle Corp

BEVY-Y9C BEVY-Z12C/Z15C





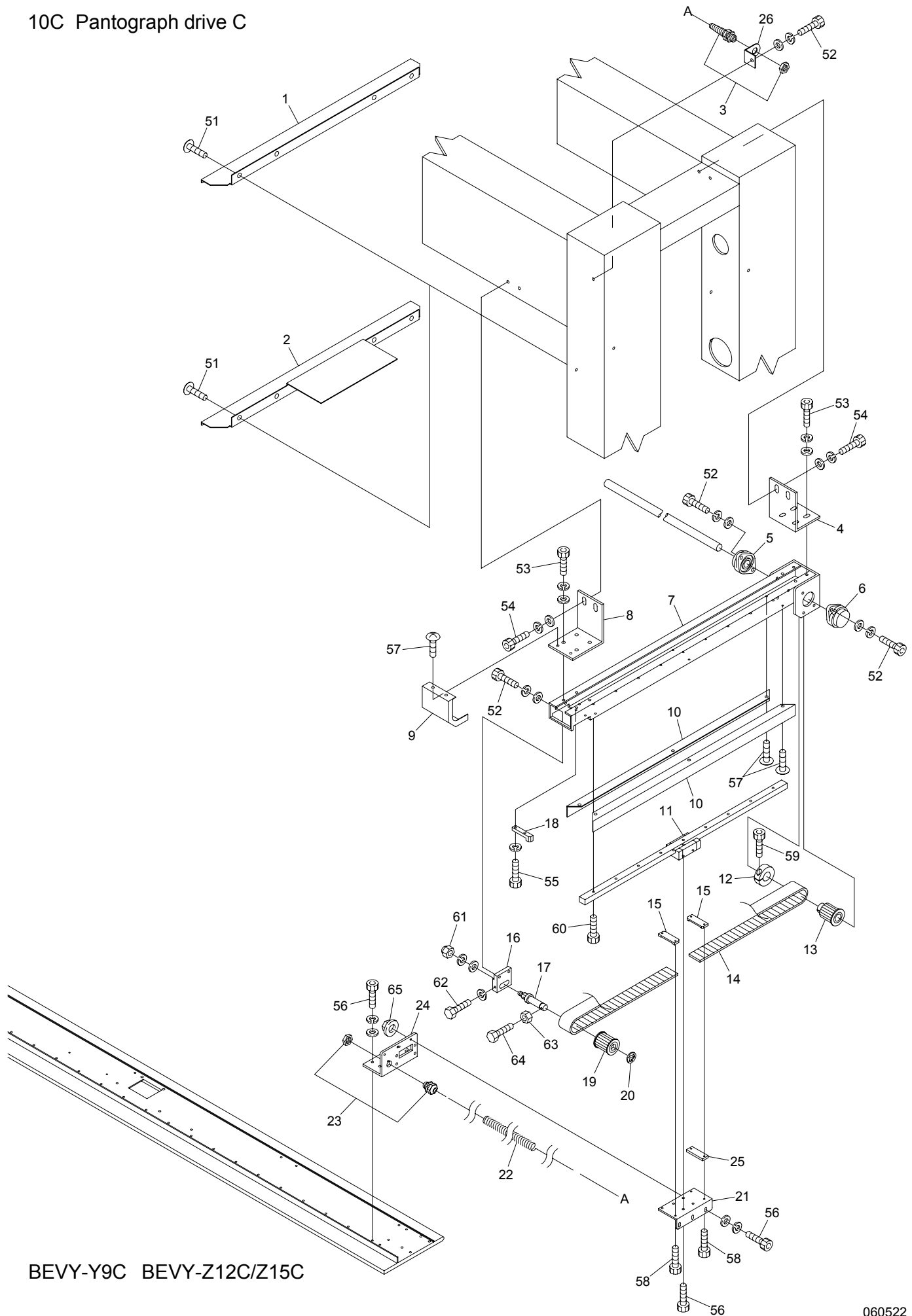
10B Pantograph drive B



From the library of: Diamond Needle Corp



# 10C Pantograph drive C



BEVY-Y9C BEVY-Z12C/Z15C

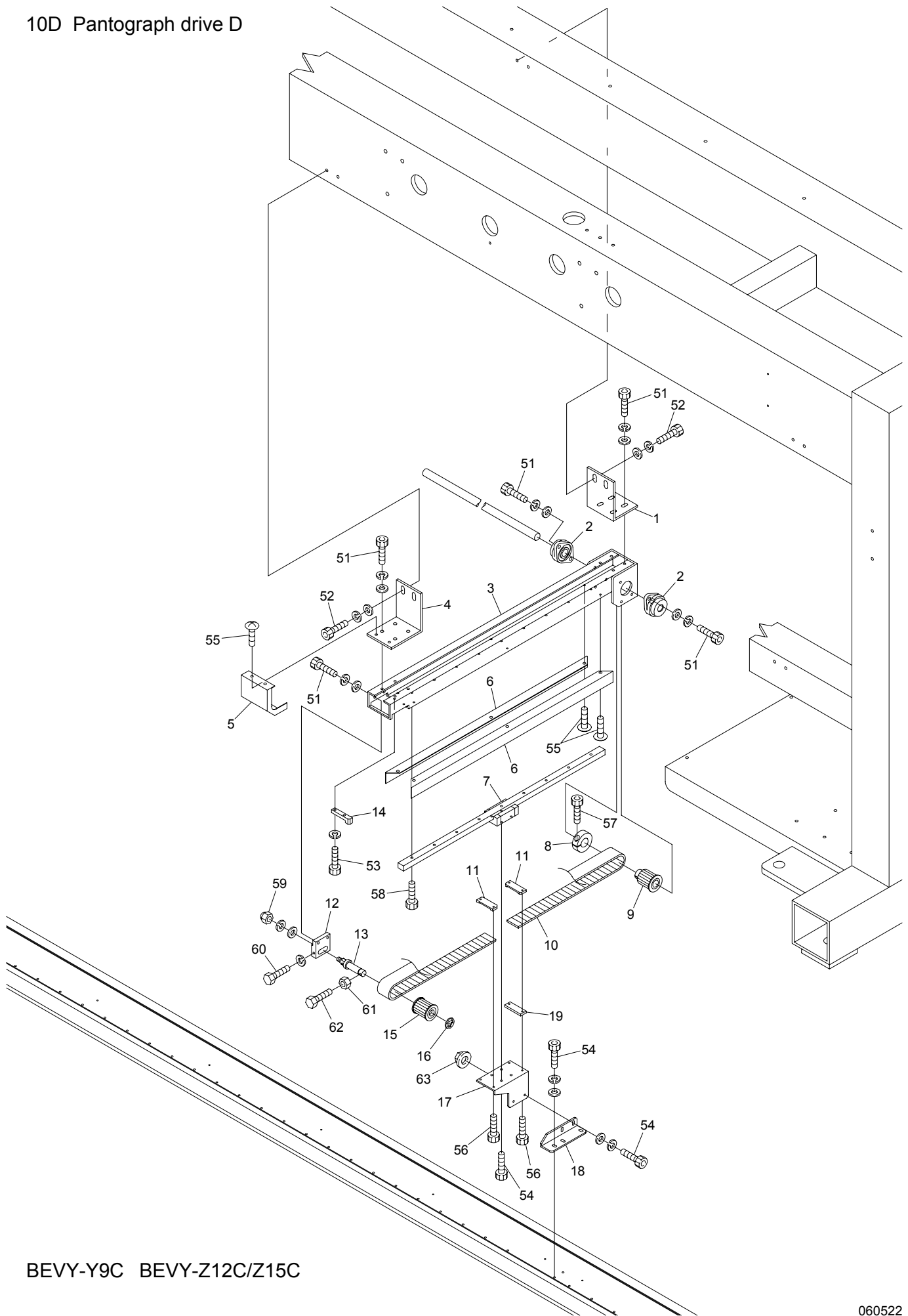
From the library of: Diamond Needle Corp

10C Pantograph drive C

ITEM	LIST No.	DESCRIPTION	Q' TY	NOTE
1	SJ250060	V-spline cover(DYHE)	1	2T/4T
2	SJ250090	V-spline cover(DYHE) for 6· 8 heads	1	6T/8T
3	A9068030	Bushing NW-7RP	1	
4	SC480330	H-rail base fixed stay(Rear)	1	
5	A9011243	Bearing unit(UFL002C)	1	
6	A9011244	Bearing unit(UFL002D)	1	
7	SJ480060	H-rail base CE(ST=450) DYHE	1	
	SJ480010	H-rail base(ST=450) DYHE	1	
8	SC480210	H-rail base fixed stay(Front)	1	
9	SC250040	H-rail frou cover	1	
10	SC250070	H-rail side cover	2	
11	SC480040	LM guide(540L)	1	
12	HH481980	φ19 clamp	1	
13	SJ480000	Pantograph drive pulley(16 tooth)	1	
14	SC480020	Timing belt MA5	1	
15	HP482940	Timing belt set rack(5M)	2	
16	SJ480081	Pulley bracket	1	
17	HH481991	Timing pulley shaft	1	
18	RP480201	Pulley stopper	1	
19	SC480010	Pantograph drive pulley(Front)	1	
20	A9012052	E-ring(φ10)	1	
21	SC480120	Guide base(R)	1	
22	A9068049	Curl cord(Compact machine)	1	
23	A9068050	Super seal(NW-7R)	1	
24	SC480080	Guide stay(R)	1	
25	SJ480020	Rack spacer	1	
26	SC480290	Erectrical bracket	1	
51		Truss screw M6×10		
52		Hex.socket bolt M6×15(Chromate)		
53		Hex.socket bolt M5×15(Chromate)		
54		Hex.socket bolt M6×20(Chromate)		
55		Hex.socket bolt M4×12(With spring washer)		
56		Hex.socket bolt M4×12(With adhesion)		
57		Truss screw M4×6(Chromate)		
58		Hex.socket bolt M3×15(Black)		
59		Hex.socket bolt M5×20(Black)		
60		Hex.socket bolt M4×10(Black)		
61		Hex.cap nut M8(Chromate)		
62		Hex.bolt M4×30(Chromate)		
63		Hex.nut M4		
64		Hex.bolt M4×40(Chromate)		
65		Flange nut M4		

From the library of: Diamond Needle Corp

10D Pantograph drive D

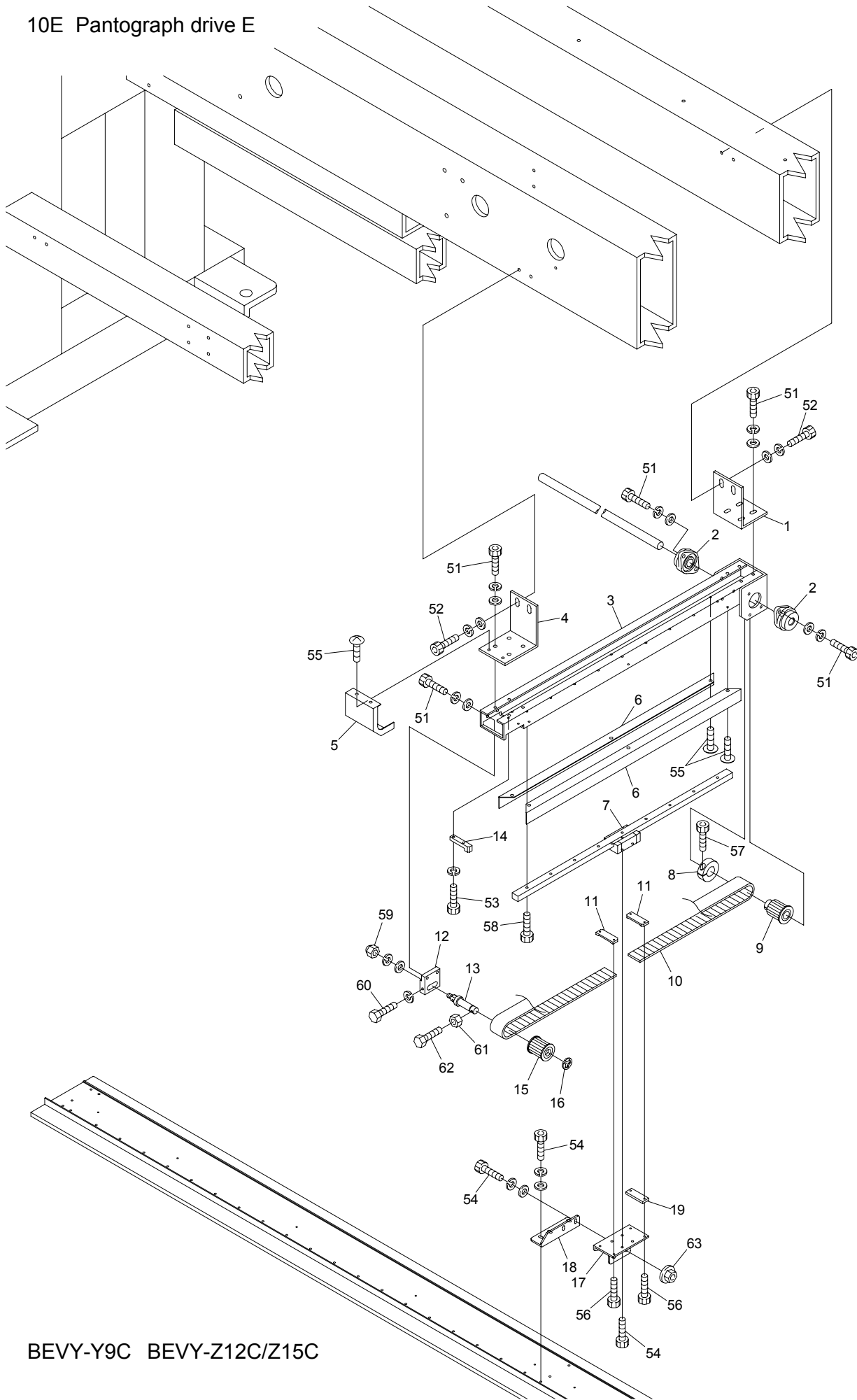


From the library of: Diamond Needle Corp

BEVY-Y9C BEVY-Z12C/Z15C



# 10E Pantograph drive E



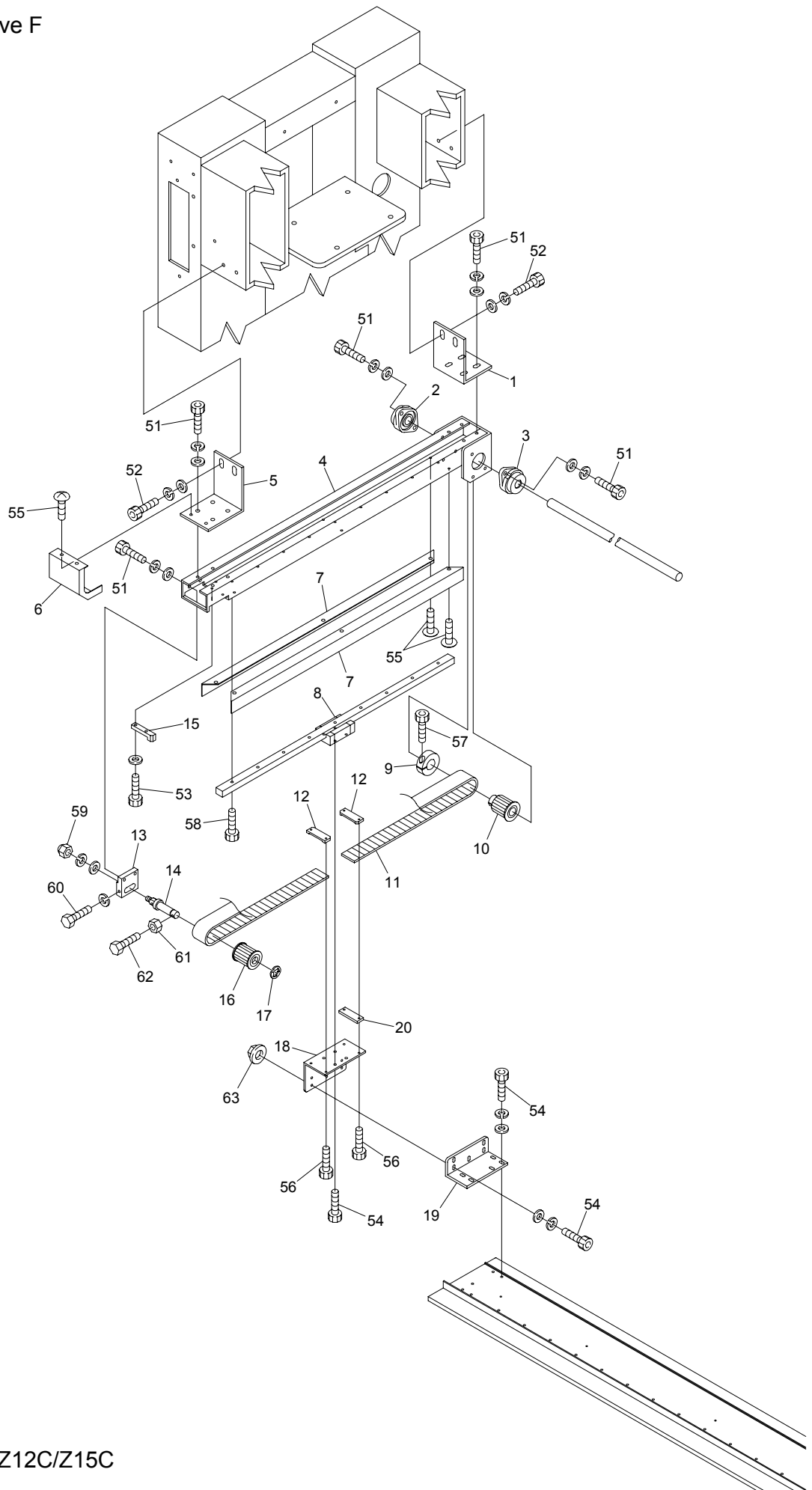
BEVY-Y9C BEVY-Z12C/Z15C

From the library of: Diamond Needle Corp





# 10F Pantograph drive F

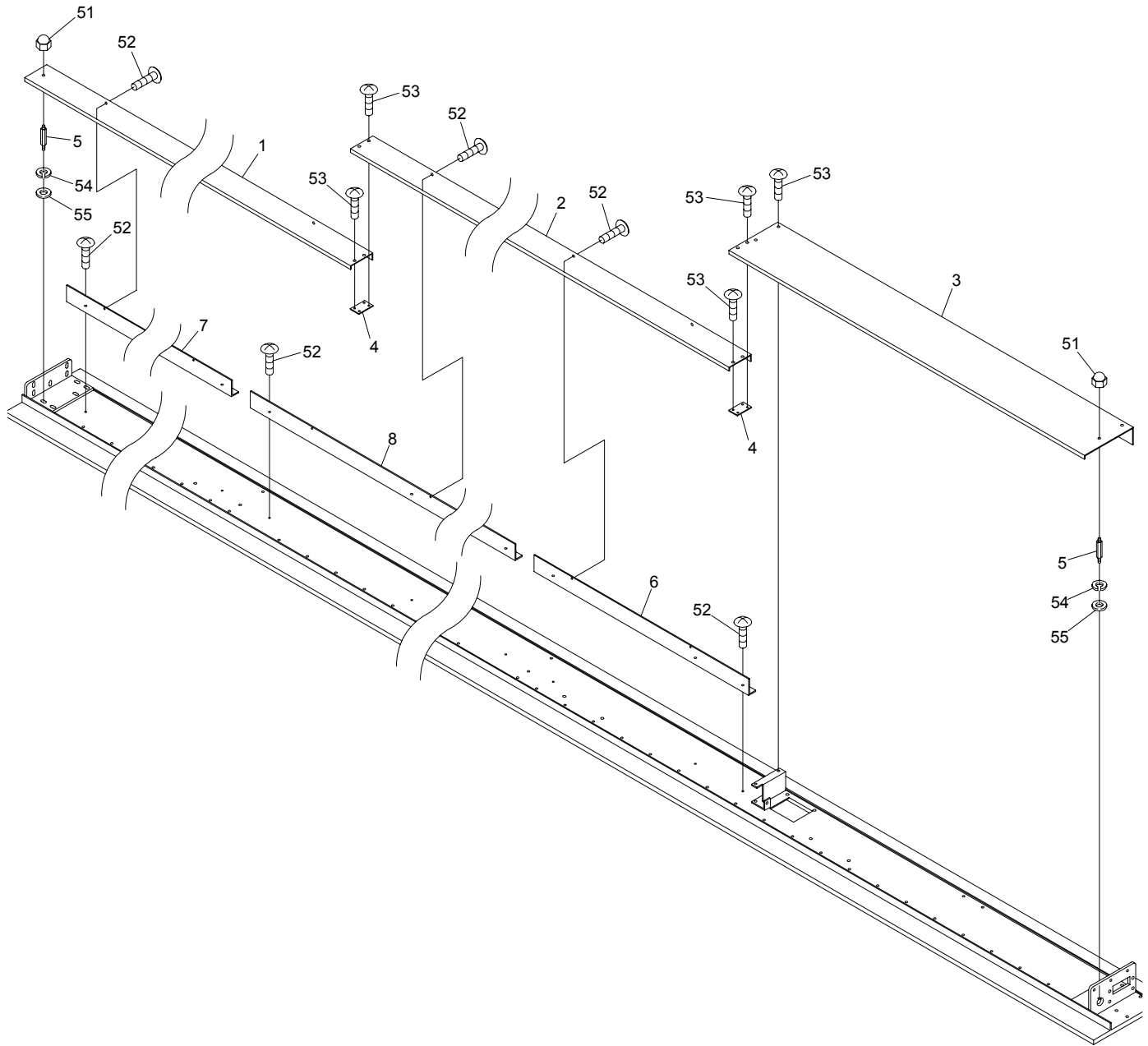


From the library of: Diamond Needle Corp

BEVY-Y9C BEVY-Z12C/Z15C



# 10G Pantograph drive G

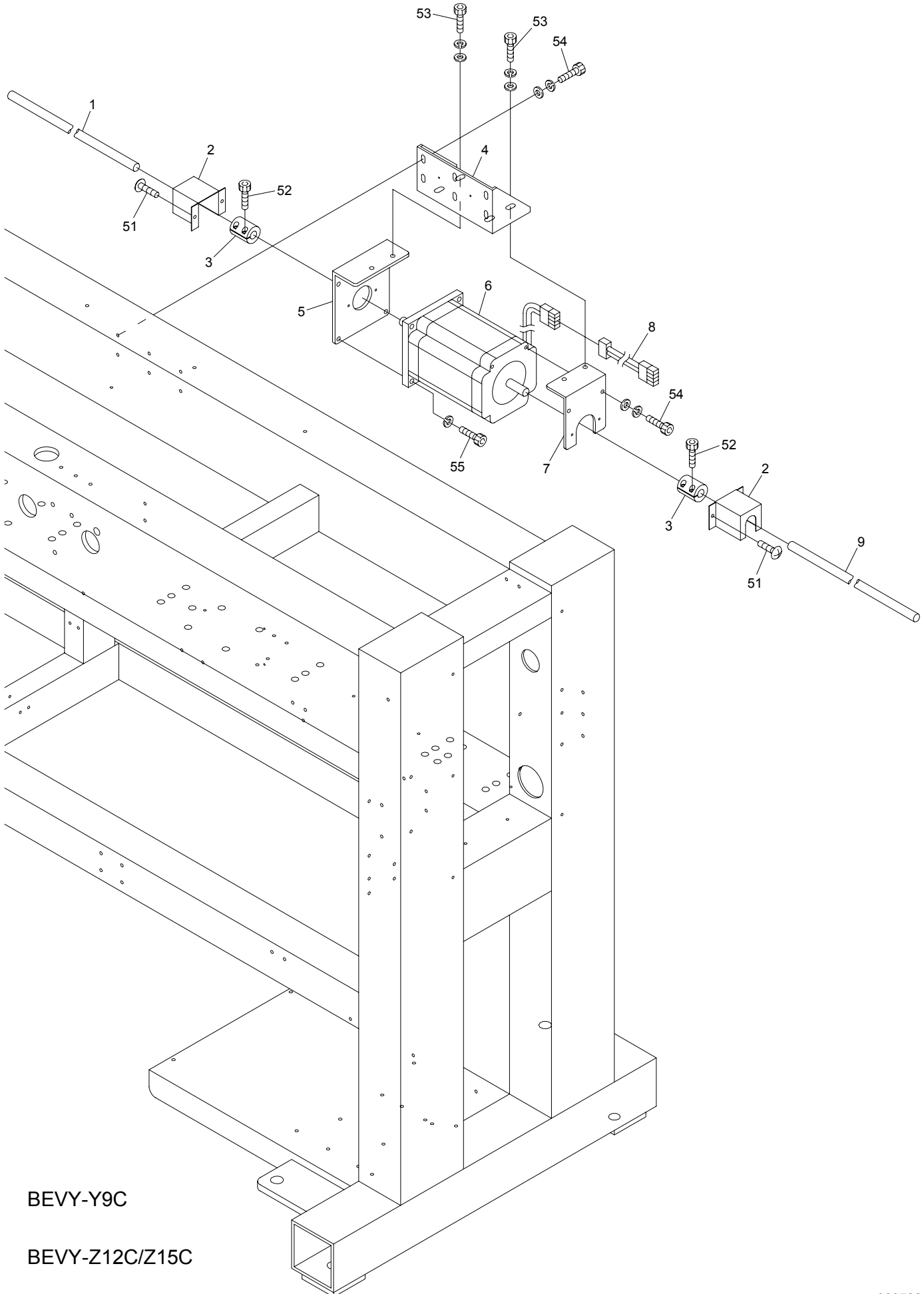


From the library of: Diamond Needle Corp

BEVY-Y9C BEVY-Z12C/Z15C



# 10H Pantograph drive H



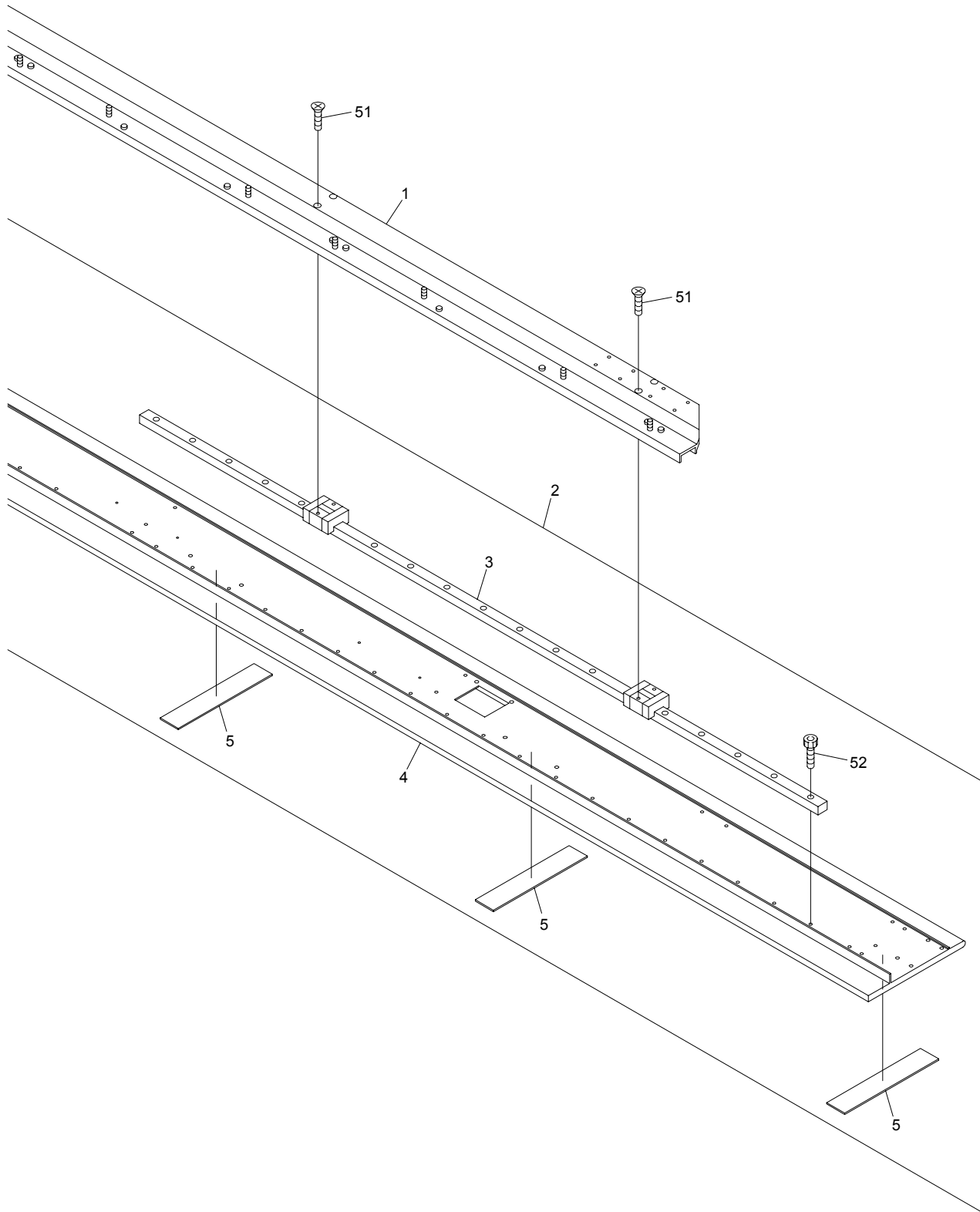
BEVY-Y9C

BEVY-Z12C/Z15C

From the library of: Diamond Needle Corp



# 10I Pantograph drive I



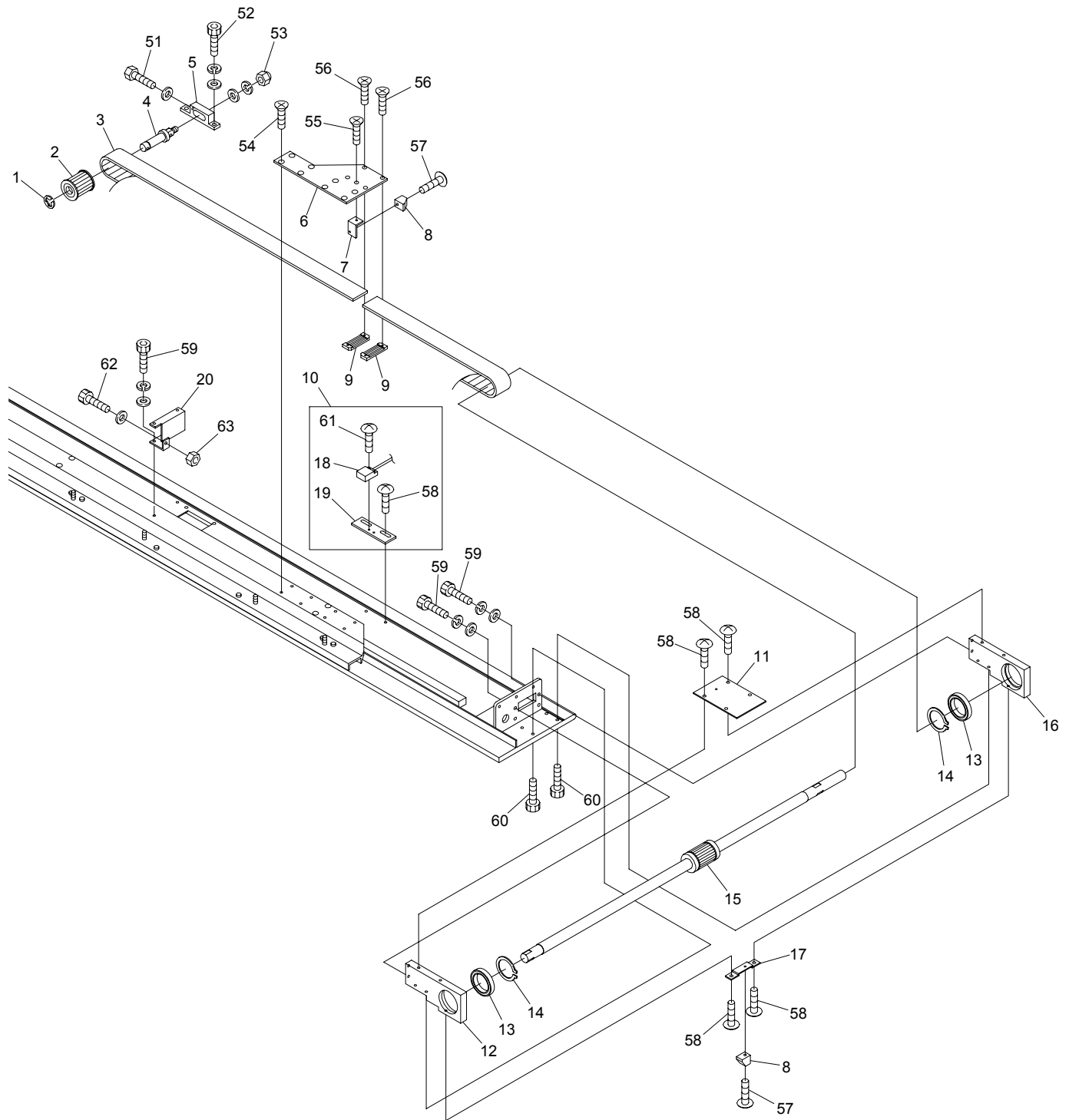
From the library of: Diamond Needle Corp

BEVY-Y9C BEVY-Z12C/Z15C





# 10J Pantograph drive J

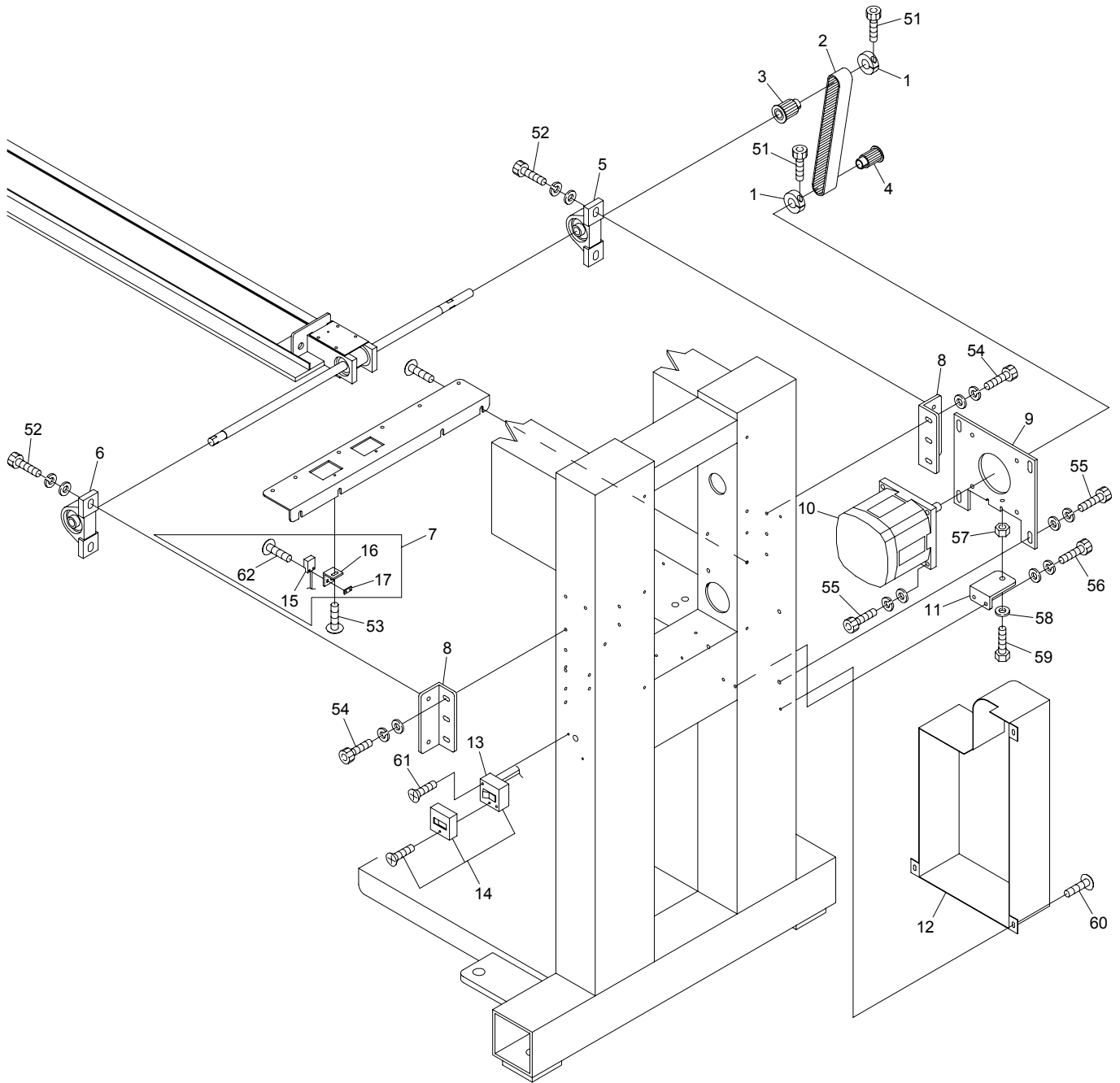


From the library of: Diamond Needle Corp

BEVY-Y9C BEVY-Z12C/Z15C



# 10K Pantograph drive K

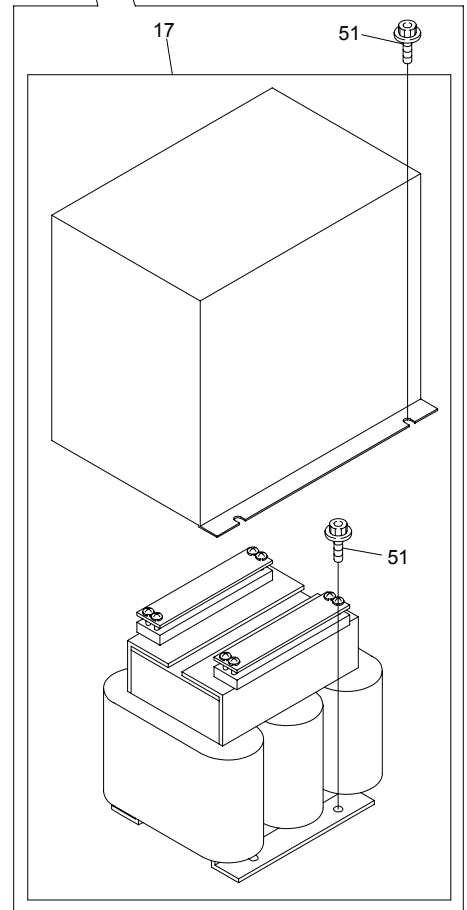
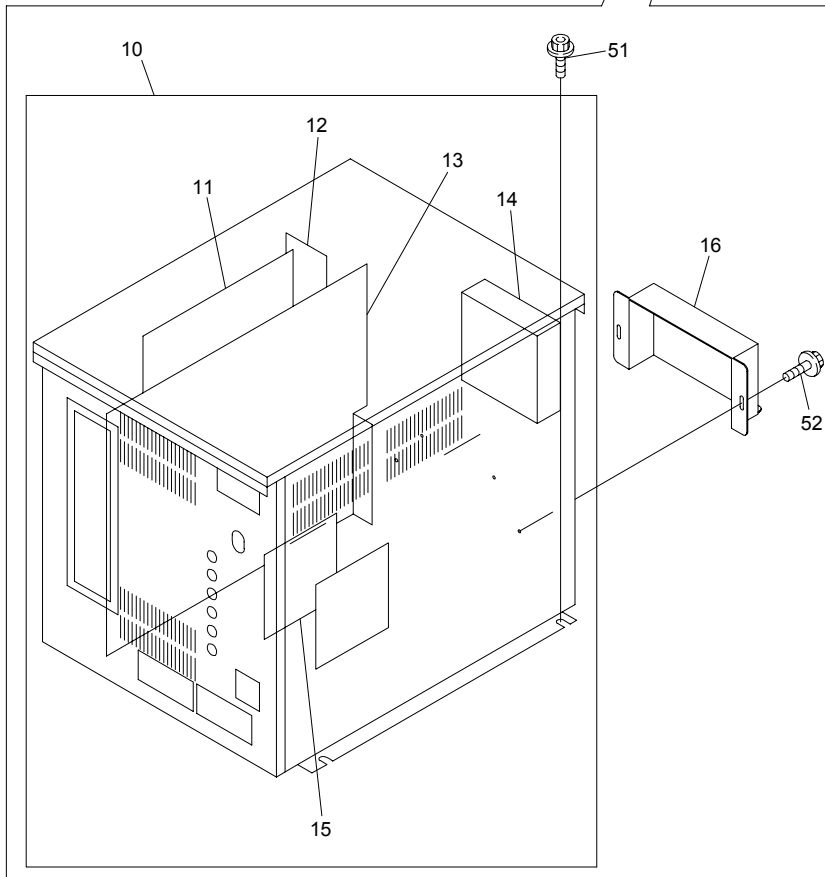
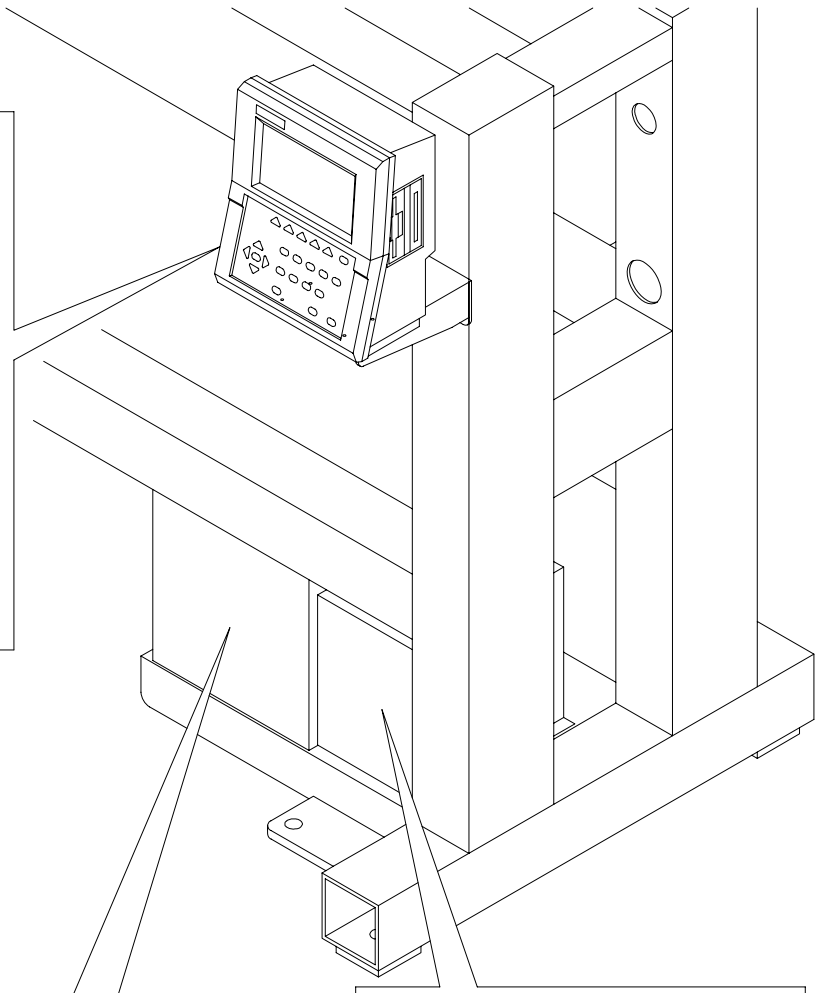
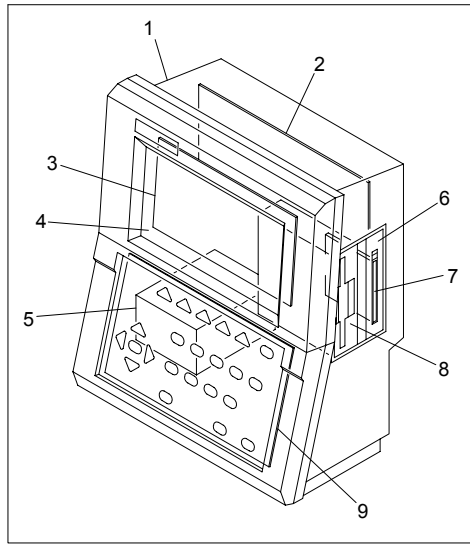


From the library of: Diamond Needle Corp

BEVY-Y9C BEVY-Z12C/Z15C



11A Control A

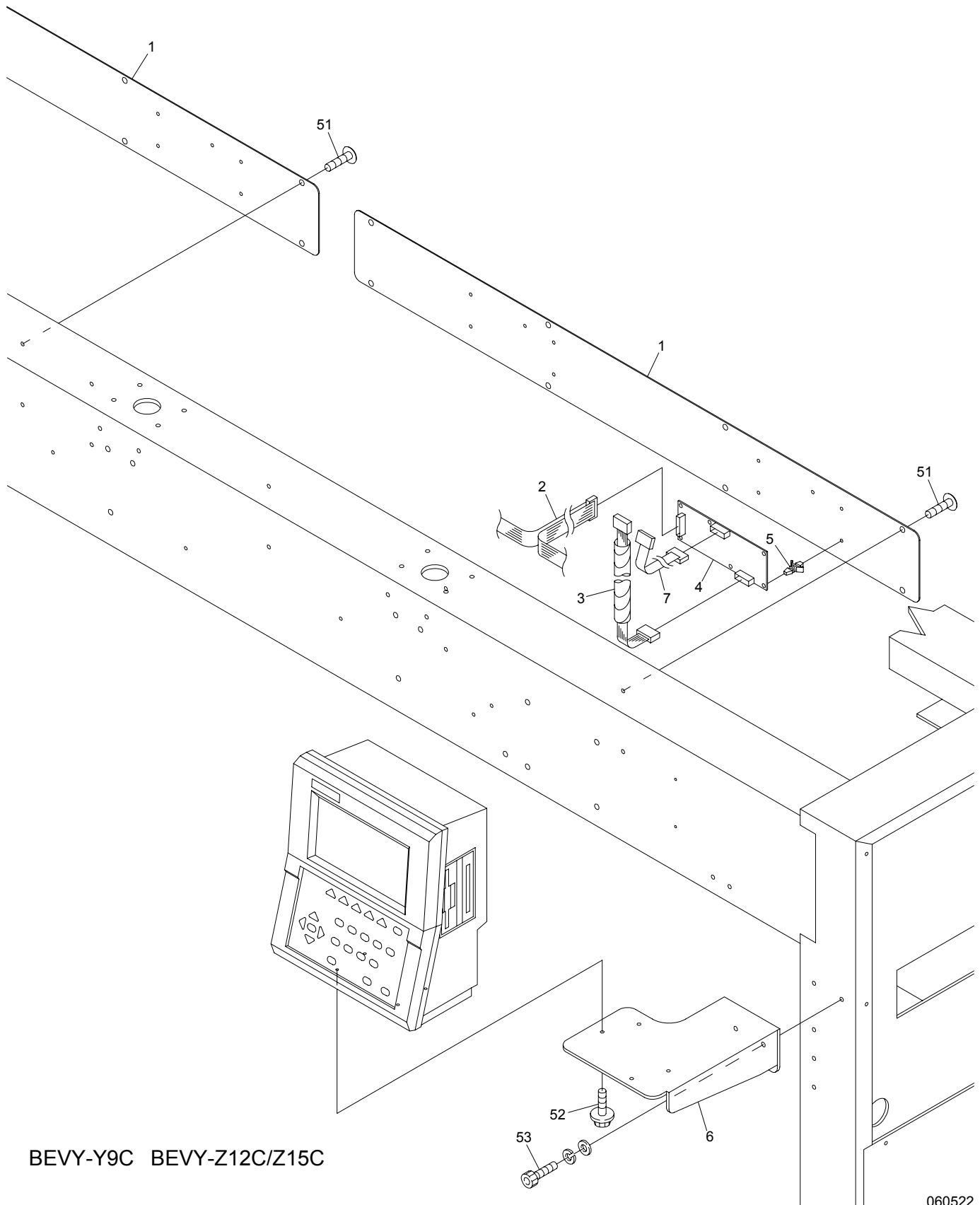


BEVY-Y9 BEVY-Y9F BEVY-Y9C BEVY-Z12/Z15 BEVY-Z12F BEVY-Z12C/Z15C

From the library of: Diamond Needle Corp



11B-1 Control B(2T/4T)

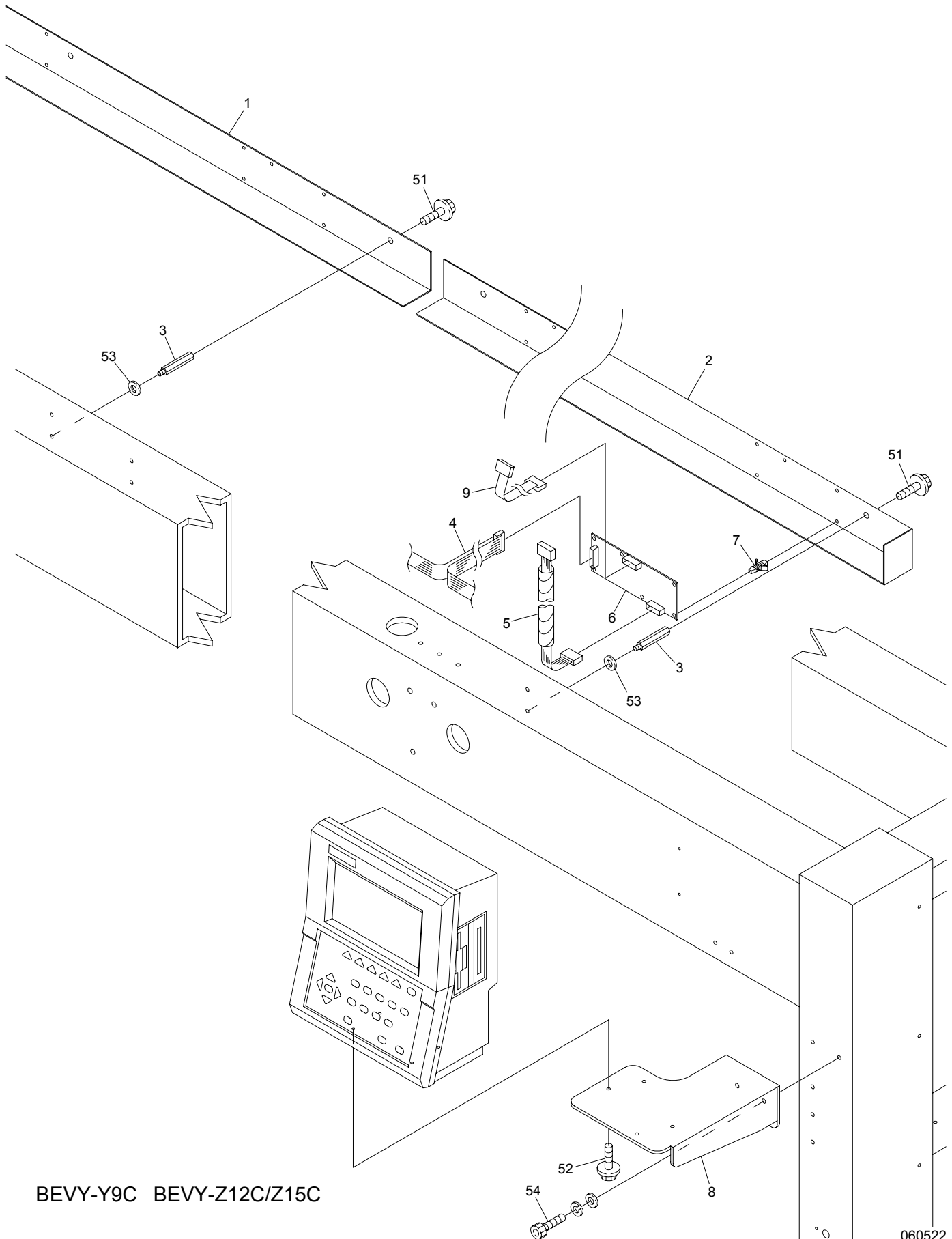


BEVY-Y9C BEVY-Z12C/Z15C





11B-2 Control B(6T/8T)

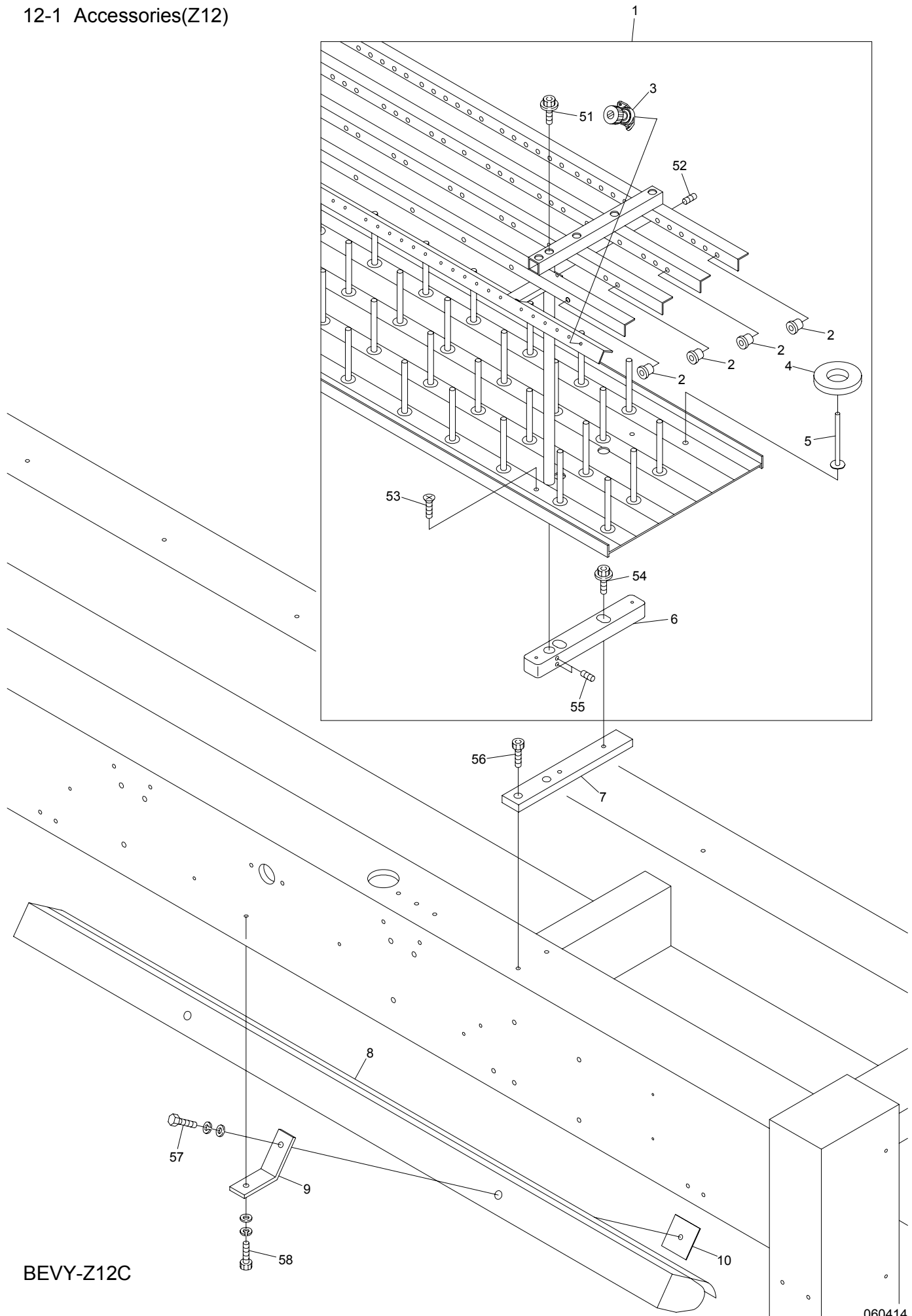


From the library of: Diamond Needle Corp

BEVY-Y9C BEVY-Z12C/Z15C



12-1 Accessories(Z12)

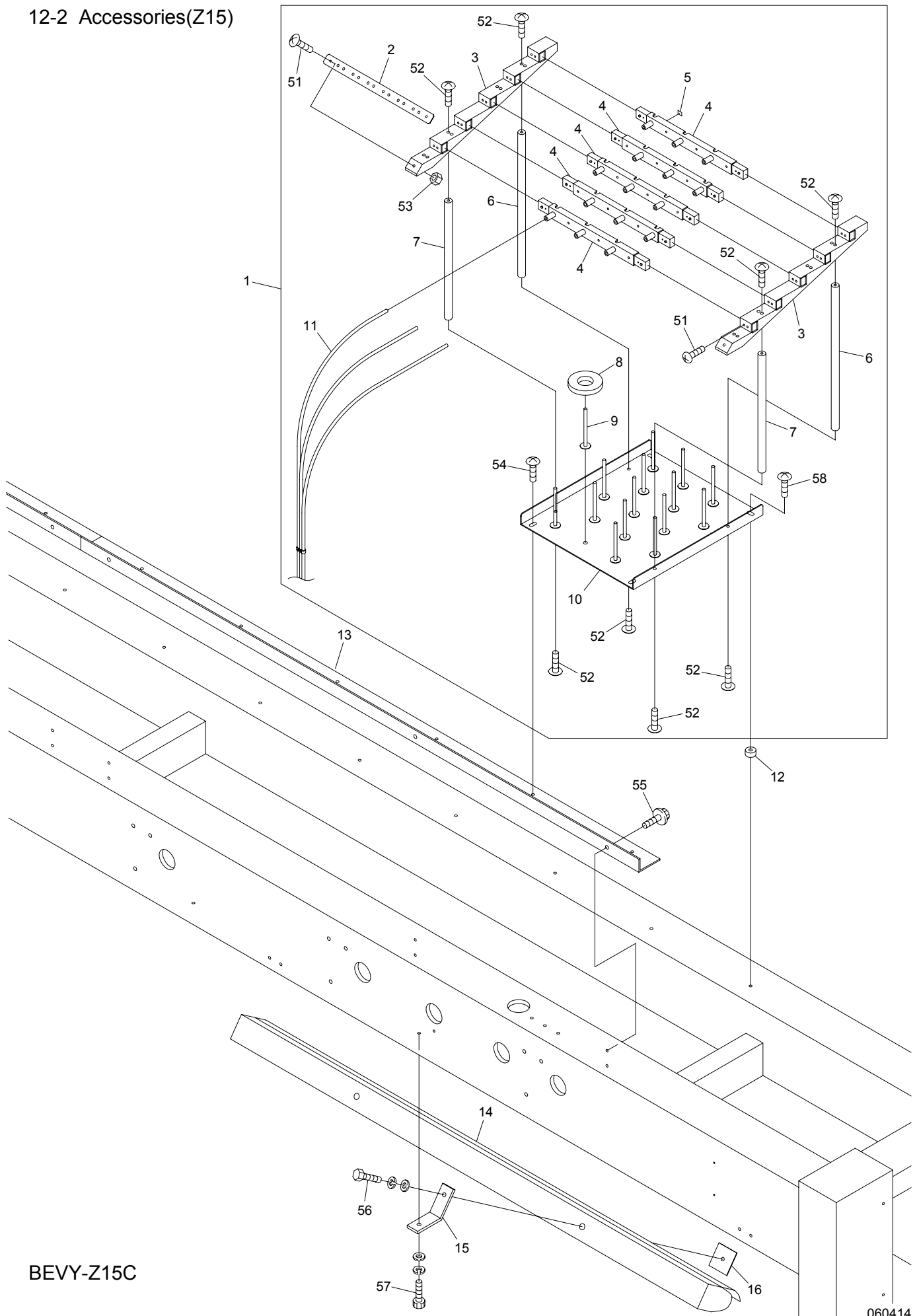


From the library of: Diamond Needle Corp

BEVY-Z12C



12-2 Accessories(Z15)



BEVY-Z15C

From the library of: Diamond Needle Corp



I N D E X

LIST No.	SECTION No.	ITEM	LIST No.	SECTION No.	ITEM
1SPP3803800	08 - 1	21	A9012415	04 B	26
1SPP3803800	08 - 2	21	A9012421	03	21
1SPP5205200	08 - 1	21	A9012437	10 A	3
1SPP5205200	08 - 2	21	A9012437	10 B	9
2CSJ1202520	12 - 1	1	A9012438	06 - 2	4
2CSJ1204520	12 - 1	1	A9013066	02 A	8
2CSJ1206520	12 - 1	1	A9013070	00 B	6
2CSJ1208520	12 - 1	1	A9014059	01 A	7
2DSJ02520	11B - 1	2	A9014161	00 A - 1	7
2DSJ04520	11B - 1	2	A9014161	00 A - 2	7
2DSJ06520	11B - 2	4	A9014163	00 A - 1	11
2DSJ08380	11B - 2	4	A9014163	00 A - 2	11
A9010003	08 - 1	7	A9014163	00 B	16
A9010003	08 - 2	7	A9014166	04 C	15
A9010061	10 J	13	A9014167	04 A - 1	21
A9010063	07	20	A9014167	04 A - 2	26
A9010065	04 B	30	A9014168	04 D	3
A9010073	03	20	A9019049	00 A - 1	14
A9010113	07	13	A9019049	00 A - 2	14
A9011111	01 A	14	A9020180	08 - 1	5
A9011128	10 K	5	A9020180	08 - 2	5
A9011242	10 K	6	A9020211	10 K	2
A9011243	10 C	5	A9052028	02 C	3
A9011243	10 D	2	A9052029	10 K	14
A9011243	10 E	2	A9052030	10 J	8
A9011243	10 F	3	A9052031	10 J	18
A9011244	10 C	6	A9052031	10 K	15
A9011244	10 F	2	A9052078	02 B	4
A9011284	02 A	22	A9052080	04 E	6
A9012002	02 B	8	A9052081	04 E	5
A9012027	01 A	25	A9053079	07	2
A9012052	10 C	20	A9053081	08 - 1	3
A9012052	10 D	16	A9053081	08 - 2	3
A9012052	10 E	16	A9053082	02 B	33
A9012052	10 F	17	A9054054	11 A	7
A9012052	10 J	1	A9056008	02 A	17
A9012063	08 - 1	9	A9056036	05	1
A9012063	08 - 2	9	A9056037	04 C	22
A9012068	07	12	A9056038	02 C	1
A9012127	04 B	7	A9056042	04 C	22
A9012127	04 C	18	A9060063	07	17
A9012127	07	19	A9065092	02 B	13
A9012208	07	4	A9065092	07	6
A9012368	04 B	21	A9065093	07	7
A9012401	10 J	14	A9065107	02 B	33



I N D E X

LIST No.	SECTION No.	ITEM	LIST No.	SECTION No.	ITEM
A 9 0 6 8 0 3 0	1 0 C	3	HB 2 3 0 2 7 1 C	0 4 C	3
A 9 0 6 8 0 3 2	0 6 - 1	21	HB 2 3 0 2 8 1 C	0 4 C	6
A 9 0 6 8 0 3 2	0 6 - 2	22	HB 2 3 0 3 6 1	0 4 C	5
A 9 0 6 8 0 4 8	1 1 B - 1	5	HB 2 3 0 6 2 0	0 3	25
A 9 0 6 8 0 4 8	1 1 B - 2	7	HB 2 3 0 6 5 0	0 3	7
A 9 0 6 8 0 4 9	1 0 C	22	HB 2 3 0 8 0 0	0 3	10
A 9 0 6 8 0 5 0	1 0 C	23	HB 2 4 0 0 2 0 C	0 5	9
E A Y 0 5 3 A 0	1 0 H	8	HB 2 4 0 0 3 0 C	0 5	10
E A Y 0 9 0 A 2	1 1 A	10	HB 2 4 0 0 4 1	0 5	11
E A Y 0 9 0 A 3	1 1 A	17	HB 5 6 0 0 6 0	0 5	13
E A Y 0 9 1 A 1	1 1 A	1	HB 5 6 0 0 8 0	0 5	12
E A Y 0 9 1 A 3	1 1 A	17	HB 5 6 0 2 1 1	0 5	14
E B Y 0 1 6 2 5	0 6 - 2	19	HB 7 1 0 0 2 0	1 2 - 1	10
E B Y 0 1 6 2 5	1 1 B - 1	7	HB 7 1 0 0 2 0	1 2 - 2	16
E B Y 0 1 6 2 5	1 1 B - 2	9	HH 4 8 1 9 3 2	1 0 H	3
E B Y 0 1 6 2 7	0 6 - 1	16	HH 4 8 1 9 8 0	1 0 C	12
E B Y 0 1 6 5 0	0 7	3	HH 4 8 1 9 8 0	1 0 D	8
E B Y 0 1 6 6 3	1 1 B - 1	4	HH 4 8 1 9 8 0	1 0 E	8
E B Y 0 1 6 6 3	1 1 B - 2	6	HH 4 8 1 9 8 0	1 0 F	9
E B Y 0 2 4 4 0	1 1 A	8	HH 4 8 1 9 8 0	1 0 K	1
E B Y 0 2 6 0 0	0 6 - 1	15	HH 4 8 1 9 9 1	1 0 C	17
E B Y 0 2 6 1 0	0 6 - 2	18	HH 4 8 1 9 9 1	1 0 D	13
E B Y 0 3 0 1 0	1 1 A	2	HH 4 8 1 9 9 1	1 0 E	13
E B Y 0 3 0 2 0	1 1 A	9	HH 4 8 1 9 9 1	1 0 F	14
E B Y 0 3 0 3 0	1 1 A	6	HH 4 8 1 9 9 1	1 0 J	4
E B Y 0 3 0 4 0	1 1 A	12	HM 1 4 0 1 2 0	0 0 B	8
E B Y 0 3 0 5 0	1 1 A	13	HM 2 7 0 0 0 0	0 2 A	25
E B Y 0 3 0 6 0	1 1 A	15	HM 2 7 0 0 1 0	0 2 B	6
E B Y 0 3 0 7 0	1 1 A	11	HP 2 4 1 4 3 0	1 2 - 1	3
E D Y 0 0 2 3 0	1 1 A	4	HP 3 2 1 0 9 0	0 1 A	13
E D Y 0 0 2 4 0	1 1 A	3	HP 3 2 1 7 1 0 C	0 1 B	5
E D Y 0 0 2 5 0	1 1 A	5	HP 3 2 1 7 2 0 C	0 1 B	1
E P 5 3 0 0 3 0	0 8 - 1	3	HP 4 8 2 9 4 0	1 0 C	15
E P 5 3 0 0 3 0	0 8 - 2	3	HP 4 8 2 9 4 0	1 0 D	11
F A 9 0 4 1 4 7	1 1 A	14	HP 4 8 2 9 4 0	1 0 E	11
F A 9 9 9 0 5 2	0 6 - 1	22	HP 4 8 2 9 4 0	1 0 F	12
F N 0 7 0 0 1 1 R G	0 4 A - 1	15	HP 4 8 2 9 4 0	1 0 J	9
F N 0 7 0 0 1 1 R G	0 4 A - 2	14	HS 2 1 0 0 2 0	0 1 A	1
FR92300290A380A	1 0 B	1	HS 2 1 0 0 2 1	0 1 A	1
FR92460434A520S	1 0 B	1	HS 2 1 0 0 3 1	0 1 A	24
HB 2 3 0 0 7 0 C	0 3	23	HS 2 1 0 0 4 2	0 1 A	11
HB 2 3 0 0 8 0 C	0 3	22	HS 2 1 0 0 5 1	0 2 A	13
HB 2 3 0 2 0 0	0 4 B	11	HS 2 1 0 0 6 0	0 2 A	18
HB 2 3 0 2 2 0 C	0 4 C	9	HS 2 1 0 0 7 0	0 2 A	16
HB 2 3 0 2 6 1	0 4 C	8	HS 2 1 0 0 8 0	0 2 A	21

I N D E X

LIST No.	SECTION No.	ITEM	LIST No.	SECTION No.	ITEM
HS 2 1 0 0 9 0	0 2 A	23	HV 5 1 0 2 0 0	1 1 B - 2	5
HS 2 1 0 1 0 0	0 2 A	12	HV 7 1 0 0 1 0	1 2 - 1	8
HS 2 1 0 1 1 1	0 2 A	10	HV 7 1 0 0 1 0	1 2 - 2	14
HS 2 1 0 1 2 1	0 2 A	11	HV 7 1 0 0 2 0	1 2 - 1	8
HS 2 1 0 3 0 0	0 2 A	14	HV 7 1 0 0 2 0	1 2 - 2	14
HS 2 2 0 0 1 0	0 1 A	4	KA 4 8 0 0 1 0	1 0 H	6
HS 2 7 0 0 3 0	0 2 B	2	KC 2 5 0 4 8 2	0 1 A	19
HS 2 7 0 0 7 0	0 2 B	31	KC 2 7 0 1 0 1	0 4 C	21
HT 2 2 0 0 6 1	0 1 A	5	KC 2 7 1 0 0 1	0 2 A	15
HT 2 3 0 1 2 0	0 4 A - 1	11	KC 2 7 1 9 4 0 C	0 2 A	20
HT 2 3 0 1 2 0	0 4 A - 2	10	KC 3 3 0 1 8 0	0 2 B	3
HT 2 3 0 2 2 0	0 5	3	KC 3 3 0 4 1 0	0 2 B	10
HT 2 3 0 2 6 3	0 4 A - 1	7	KC 3 3 0 5 1 0	0 2 B	9
HT 2 3 0 2 6 3	0 4 A - 2	6	KF 2 2 0 2 3 0	0 1 A	3
HT 2 3 0 2 8 0	0 4 B	24	KF 2 2 0 2 4 0	0 1 A	20
HT 2 3 0 2 9 0	0 4 B	19	KF 2 2 0 2 9 0	0 1 A	2
HT 2 3 0 3 3 0	0 4 A - 1	6	KF 2 2 0 3 0 2	0 1 A	23
HT 2 3 0 3 3 0	0 4 A - 2	5	KF 2 2 0 4 2 1	0 1 A	22
HT 2 3 0 3 4 0	0 4 B	18	KF 2 2 0 5 3 0	0 1 A	22
HT 2 3 0 4 1 0 C	0 4 C	7	KF 2 2 0 7 0 0	0 1 A	21
HT 2 3 0 4 5 0	0 4 B	9	KF 2 2 1 0 2 0	0 1 A	23
HT 2 3 0 4 7 1	0 4 B	4	KF 2 2 1 0 4 0	0 1 A	21
HT 2 3 0 4 8 0	0 4 B	14	KF 2 3 0 5 0 1	0 3	5
HT 2 3 0 4 9 1	0 4 B	5	KF 2 3 0 5 3 0	0 4 B	8
HT 2 3 0 5 1 0	0 4 B	12	KF 2 3 0 6 8 0	0 3	6
HT 2 3 0 5 2 0	0 4 B	20	KF 2 3 0 9 1 0	0 4 A - 1	10
HT 2 3 0 5 6 0	0 4 B	25	KF 2 3 0 9 1 0	0 4 A - 2	9
HT 2 3 0 5 9 0	0 4 C	1	KF 7 1 0 3 9 0	1 2 - 1	4
HT 2 3 0 6 2 0 C	0 5	4	KF 7 1 0 3 9 0	1 2 - 2	8
HT 2 3 0 7 3 0	0 4 B	6	KF 7 3 0 7 5 0	1 0 A	1
HT 2 3 0 7 5 0	0 4 B	3	KF 7 3 0 7 6 0	1 0 A	2
HT 2 3 0 7 6 0	0 4 B	10	KL 2 2 0 1 4 0	0 1 A	8
HT 2 4 0 1 0 1	0 6 - 1	14	KL 2 7 0 0 9 1	0 2 C	8
HT 2 4 0 1 0 1	0 6 - 2	10	KL 2 7 0 1 0 1	0 2 C	9
HT 2 4 0 1 8 0	0 6 - 1	18	KL 2 7 0 1 2 0 C	0 2 C	11
HT 2 4 0 1 8 0	0 6 - 2	11	KL 2 7 0 1 3 1 C	0 2 C	10
HT 2 4 0 2 9 0	0 6 - 1	4	KL 2 7 0 2 6 0 C	0 2 C	2
HT 2 4 0 2 9 0	0 6 - 2	7	KL 2 7 0 4 5 0	0 2 C	7
HT 2 4 0 4 8 0	1 2 - 1	2	KN 2 7 1 5 6 0 C	0 2 A	24
HT 2 4 0 4 9 0	1 2 - 1	2	KN 2 7 1 7 5 0	0 2 B	7
HT 2 7 0 0 6 3	0 4 E	15	KN 2 7 1 7 8 2	0 2 B	5
HT 2 7 0 1 8 2	0 2 A	3	KN 2 7 2 0 1 0	0 2 A	9
HT 7 1 0 0 0 0	1 2 - 1	5	KN 2 7 2 3 5 0	0 2 B	17
HT 7 1 0 0 0 0	1 2 - 2	9	KN 2 7 2 4 0 1	0 2 A	19
HV 4 8 0 0 6 0	1 0 H	6	KN 2 7 2 4 0 1	0 2 C	5

I N D E X

LIST No.	SECTION No.	ITEM	LIST No.	SECTION No.	ITEM
KN511020	01B	3	PN240010	06-1	1
KN540510	06-1	13	PN510001	11A	16
KN540510	06-2	9	PP240000	06-2	26
KV230040	04A-1	5	PP240010	06-2	21
KV230040	04A-2	4	PP710000	12-2	1
KW710060	10K	13	RA310380	08-1	2
KW710070	10K	13	RD230060	04A-2	18
KX230141	04A-1	18	RD230130	03	9
KX230141	04A-2	23	RD230150	04B	2
KX230152	04A-1	17	RD230201	04A-1	19
KX230152	04A-2	22	RD230201	04A-2	24
KX250080	01A	9	RD230250	05	8
KX250080	02A	2	RD230370	04A-1	9
KX270000	02A	26	RD230370	04A-2	8
KX270010	02A	6	RD230480	04A-1	2
KX270070	02C	12	RD230480	04A-2	1
KX270430	02A	27	RD230490	04A-1	3
KX510140	04E	7	RD230490	04A-2	2
LA230140	04B	28	RD240154	06-1	6
LA270080	02C	15	RD240154	06-2	5
LA730590	10B	6	RD240271	04E	9
LA730610	10B	4	RD270020	02C	14
LA730630	10B	5	RD270040	02C	13
LA730650	10B	3	RD510030	11B-1	3
MH230161	05	7	RD510030	11B-2	5
MK230080C	04C	12	RD710330	12-2	4
MM270000	04C	13	RD710340	12-2	3
MN230090	05	5	RD710351	12-2	7
PF240010	06-1	10	RD710361	12-2	6
PF250000	04E	8	RD710370	12-2	2
PF250010P380	04E	3	RD710380	12-2	5
PF250010P520	04E	3	RF450041	10K	17
PF250020P380	04E	3	RH230271	03	28
PF250020P520	04E	3	RH230280	03	27
PG240000	06-2	26	RH230300	03	26
PG240010	06-2	13	RH230311	03	3
PG240020	06-2	21	RH230320	03	13
PG240030	06-2	25	RH230330	03	29
PG240040	06-2	3	RH230410	04A-1	4
PG250000	04E	8	RH230410	04A-2	3
PG250010P380	04E	3	RH230440	04A-1	12
PG250010P520	04E	3	RH230440	04A-2	11
PG250020P380	04E	3	RH230450	04A-1	14
PG250020P520	04E	3	RH230450	04A-2	13
PN240000	06-1	24	RH230460	04A-1	13

I N D E X

LIST No.	SECTION No.	ITEM	LIST No.	SECTION No.	ITEM
RH 2 3 0 4 6 0	0 4 A - 2	12	RV 7 1 0 0 5 0	1 2 - 2	11
RH 2 3 0 5 4 0	0 4 B	23	SC 1 2 0 0 1 0	0 0 B	7
RH 2 3 0 5 5 0	0 4 B	22	SC 1 2 0 0 3 0	0 0 B	1
RH 2 3 0 6 1 0	0 3	11	SC 1 2 0 0 4 0	0 0 B	3
RH 2 3 0 8 0 1	0 3	2	SC 1 4 0 0 2 0	0 0 B	18
RH 2 3 0 8 1 0	0 3	4	SC 1 4 0 0 3 0	0 0 B	17
RN 2 3 0 0 1 0	0 3	16	SC 1 4 0 0 4 1	0 0 B	15
RN 2 3 0 0 2 0 C	0 3	18	SC 1 4 0 0 9 0	0 0 B	5
RN 2 3 0 0 3 0	0 3	17	SC 1 4 0 1 2 0	0 0 A - 1	6
RN 2 3 0 0 4 0	0 3	19	SC 1 4 0 1 2 0	0 0 A - 2	6
RP 3 1 0 1 7 0	0 8 - 1	1	SC 1 4 0 1 3 0	0 0 A - 1	5
RP 3 1 0 1 7 0	0 8 - 2	1	SC 1 4 0 1 3 0	0 0 A - 2	5
RP 3 1 0 2 0 1	0 8 - 1	2	SC 1 4 0 1 4 0	0 0 B	12
RP 3 1 0 2 0 1	0 8 - 2	2	SC 1 4 0 1 6 0	0 0 A - 1	12
RP 4 8 0 2 0 1	1 0 C	18	SC 1 4 0 1 6 0	0 0 A - 2	12
RP 4 8 0 2 0 1	1 0 D	14	SC 1 4 0 1 7 0	0 0 A - 1	13
RP 4 8 0 2 0 1	1 0 E	14	SC 1 4 0 1 7 0	0 0 A - 2	13
RP 4 8 0 2 0 1	1 0 F	15	SC 1 6 0 0 1 0	0 0 A - 1	15
RQ 1 2 0 0 8 0	0 0 B	4	SC 1 6 0 0 1 0	0 0 A - 2	15
RQ 3 1 0 0 0 0	0 8 - 1	8	SC 1 6 0 0 2 0	0 0 A - 1	16
RQ 3 1 0 0 0 0	0 8 - 2	8	SC 1 6 0 0 2 0	0 0 A - 2	16
RR 2 3 0 0 8 0	0 4 C	4	SC 1 6 0 0 3 0	0 0 A - 1	17
RR 2 3 0 0 9 0	0 4 C	2	SC 1 6 0 0 3 0	0 0 A - 2	17
RR 2 4 0 3 0 0	0 6 - 2	8	SC 1 6 0 0 4 1	0 8 - 2	4
RR 2 4 0 3 0 0 C	0 6 - 1	3	SC 2 1 0 0 0 0	0 1 A	15
RR 2 4 0 3 3 0	0 6 - 1	17	SC 2 1 0 0 1 0	0 0 B	13
RR 2 4 0 3 3 0	0 6 - 2	20	SC 2 1 0 0 1 0	0 1 A	16
RR 2 4 0 3 9 0	0 6 - 1	7	SC 2 5 0 0 3 0	1 0 H	2
RR 2 4 0 3 9 0	0 6 - 2	12	SC 2 5 0 0 4 0	1 0 C	9
RR 2 4 0 5 1 0	0 6 - 1	5	SC 2 5 0 0 4 0	1 0 D	5
RR 2 4 0 5 1 0	0 6 - 2	6	SC 2 5 0 0 4 0	1 0 E	5
RV 2 3 0 0 5 0	0 5	15	SC 2 5 0 0 4 0	1 0 F	6
RV 2 3 0 0 6 0	0 3	8	SC 2 5 0 0 7 0	1 0 C	10
RV 2 3 0 0 7 0	0 3	1	SC 2 5 0 0 7 0	1 0 D	6
RV 2 3 0 1 8 0	0 4 A - 2	29	SC 2 5 0 0 7 0	1 0 E	6
RV 2 4 0 0 4 0	0 6 - 2	14	SC 2 5 0 0 7 0	1 0 F	7
RV 2 4 0 0 5 0	0 6 - 2	15	SC 2 5 0 0 8 0	0 1 B	4
RV 2 4 0 0 6 2	0 6 - 2	17	SC 2 5 0 1 1 0	1 0 H	2
RV 2 4 0 0 7 1	0 6 - 2	24	SC 3 1 0 0 0 0	0 8 - 1	17
RV 2 4 0 0 8 1	0 6 - 2	23	SC 3 1 0 0 0 0	0 8 - 2	17
RV 2 4 0 0 9 1	0 6 - 2	16	SC 3 1 0 0 1 0	0 8 - 1	14
RV 2 4 0 1 0 0	0 6 - 2	1	SC 3 1 0 0 1 0	0 8 - 2	14
RV 2 4 0 1 1 0	0 6 - 2	2	SC 3 1 0 0 2 1	0 8 - 1	10
RV 2 4 0 1 8 0	0 6 - 2	27	SC 3 1 0 0 2 1	0 8 - 2	10
RV 2 5 0 0 7 0	0 4 D	4	SC 3 1 0 0 3 0	0 8 - 1	11

I N D E X

LIST No.	SECTION No.	ITEM	LIST No.	SECTION No.	ITEM
SC 3 1 0 0 3 0	0 8 - 2	11	SC 4 8 0 0 4 0	1 0 F	8
SC 3 1 0 0 4 0	0 8 - 2	12	SC 4 8 0 0 7 0	1 0 K	8
SC 3 1 0 0 5 0	0 8 - 1	15	SC 4 8 0 0 8 0	1 0 C	24
SC 3 1 0 0 5 0	0 8 - 2	15	SC 4 8 0 0 9 0	1 0 F	19
SC 3 1 0 0 6 2	0 8 - 1	13	SC 4 8 0 1 0 0	1 0 D	18
SC 3 1 0 0 6 2	0 8 - 2	13	SC 4 8 0 1 1 0	1 0 E	18
SC 3 1 0 0 7 1	0 8 - 1	19	SC 4 8 0 1 2 0	1 0 C	21
SC 3 1 0 0 7 1	0 8 - 2	19	SC 4 8 0 1 3 0	1 0 F	18
SC 3 1 0 0 8 0	0 8 - 2	6	SC 4 8 0 1 4 0	1 0 D	17
SC 3 1 0 0 9 0	0 8 - 2	20	SC 4 8 0 1 5 0	1 0 E	17
SC 3 1 0 1 0 0	0 8 - 1	16	SC 4 8 0 1 7 0	1 0 K	10
SC 3 1 0 1 0 0	0 8 - 2	16	SC 4 8 0 1 8 1	1 0 K	7
SC 3 1 0 1 1 0	0 8 - 1	6	SC 4 8 0 1 9 0	1 0 J	7
SC 3 1 0 1 2 0	0 8 - 1	20	SC 4 8 0 2 0 1	1 0 J	10
SC 3 1 0 1 3 0	0 8 - 1	6	SC 4 8 0 2 1 0	1 0 C	8
SC 3 1 0 1 4 0	0 8 - 1	20	SC 4 8 0 2 1 0	1 0 D	4
SC 3 1 0 1 5 0	0 8 - 1	12	SC 4 8 0 2 1 0	1 0 E	4
SC 3 1 0 1 6 0	0 8 - 2	6	SC 4 8 0 2 1 0	1 0 F	5
SC 3 1 0 1 7 0	0 8 - 2	20	SC 4 8 0 2 2 0	1 0 H	4
SC 3 3 0 0 1 0	0 7	11	SC 4 8 0 2 3 0	1 0 J	11
SC 3 3 0 0 2 1	0 7	22	SC 4 8 0 2 4 1	1 0 J	17
SC 3 3 0 0 3 0	0 7	21	SC 4 8 0 2 6 0	1 0 J	6
SC 3 3 0 0 4 1	0 7	10	SC 4 8 0 2 9 0	1 0 C	26
SC 3 3 0 0 5 2	0 7	15	SC 4 8 0 3 0 0 C	1 0 J	12
SC 3 3 0 0 6 1	0 7	16	SC 4 8 0 3 1 0 C	1 0 J	16
SC 3 3 0 0 8 0 C	0 7	8	SC 4 8 0 3 3 0	1 0 C	4
SC 3 3 0 0 9 1 C	0 7	14	SC 4 8 0 3 3 0	1 0 D	1
SC 3 3 0 1 0 0	0 7	5	SC 4 8 0 3 3 0	1 0 E	1
SC 3 3 0 1 1 0	0 7	1	SC 4 8 0 3 3 0	1 0 F	1
SC 3 3 0 1 2 0	0 7	18	SC 4 8 0 3 4 0	1 0 H	5
SC 3 3 0 1 3 1	0 1 B	2	SC 4 8 0 3 5 0	1 0 H	7
SC 4 8 0 0 0 0	1 0 K	3	SC 4 8 0 3 6 1	1 0 H	9
SC 4 8 0 0 1 0	1 0 C	19	SC 4 8 0 3 7 1	1 0 H	1
SC 4 8 0 0 1 0	1 0 D	15	SC 4 8 0 8 0 1	1 0 I	2
SC 4 8 0 0 1 0	1 0 E	15	SC 4 8 0 8 1 1	1 0 I	4
SC 4 8 0 0 1 0	1 0 F	16	SC 4 8 0 8 2 0	1 0 I	3
SC 4 8 0 0 1 0	1 0 J	2	SC 4 8 0 8 3 0	1 0 I	5
SC 4 8 0 0 2 0	1 0 C	14	SC 4 8 1 0 4 0	1 0 G	1
SC 4 8 0 0 2 0	1 0 D	10	SC 4 8 1 0 5 0	1 0 G	2
SC 4 8 0 0 2 0	1 0 E	10	SC 4 8 1 0 6 1	1 0 G	3
SC 4 8 0 0 2 0	1 0 F	11	SC 4 8 1 0 8 0	1 0 G	4
SC 4 8 0 0 2 0	1 0 J	3	SC 4 8 1 0 9 0	1 0 G	6
SC 4 8 0 0 4 0	1 0 C	11	SC 4 8 1 1 0 0	1 0 G	8
SC 4 8 0 0 4 0	1 0 D	7	SC 4 8 1 1 1 0	1 0 G	7
SC 4 8 0 0 4 0	1 0 E	7	SC 4 8 1 1 2 0	1 0 G	5

I N D E X

LIST No.	SECTION No.	ITEM	LIST No.	SECTION No.	ITEM
SC 48 1 1 4 0	1 0 H	1	SC 7 3 0 1 1 1	1 0 B	8
SC 48 1 1 9 1	1 0 I	4	SC 7 3 0 3 4 0	1 0 A	6
SC 48 1 2 0 1	1 0 I	2	SC 7 3 0 3 6 0	1 0 A	6
SC 48 1 2 1 0	1 0 G	7	SC 7 3 0 3 7 0	1 0 A	6
SC 48 1 2 2 0	1 0 G	6	SC 7 3 0 3 8 0	1 0 A	6
SC 48 1 2 3 0	1 0 G	1	SF 2 5 0 1 4 0	0 4 E	2
SC 48 1 2 4 1	1 0 I	4	SF 2 5 0 1 5 0	0 4 E	1
SC 48 1 2 8 0	1 0 H	7	SG 2 3 0 0 0 0	0 4 B	17
SC 48 1 2 9 0	1 0 I	3	SG 2 3 0 0 3 1	0 4 B	16
SC 48 1 3 0 0	1 0 G	7	SG 2 3 0 0 4 0	0 4 A - 1	20
SC 48 1 3 1 0	1 0 G	1	SG 2 3 0 0 5 0	0 4 A - 1	26
SC 48 1 3 3 0	1 0 H	1	SG 2 3 0 0 6 0	0 4 A - 1	27
SC 48 1 3 7 0	0 8 - 1	1	SG 2 3 0 0 7 0	0 4 A - 1	22
SC 48 1 4 0 1	1 0 I	2	SG 2 3 0 1 1 0	0 4 A - 1	28
SC 48 1 4 2 1	1 0 H	1	SG 2 3 0 1 4 0	0 4 A - 1	24
SC 48 1 4 3 1	1 0 I	2	SG 2 3 0 1 5 0	0 4 A - 1	23
SC 48 1 4 5 1	1 0 G	3	SG 2 3 0 1 6 0	0 4 D	5
SC 48 1 4 6 0	1 0 G	6	SG 2 3 0 1 7 0	0 4 B	1
SC 48 1 4 7 0	1 0 G	8	SG 2 3 0 1 8 0	0 4 B	13
SC 48 1 4 8 0	1 0 G	7	SG 2 3 0 1 9 0	0 4 B	15
SC 48 1 4 9 0	1 0 G	1	SG 2 3 0 2 0 0	0 4 A - 1	25
SC 48 1 5 0 1	1 0 I	4	SG 2 3 0 2 0 0	0 4 A - 2	20
SC 48 1 5 4 0	1 0 I	3	SG 2 3 0 2 1 0	0 4 C	11
SC 48 1 5 5 0	1 0 I	3	SG 2 3 0 2 2 0	0 4 A - 1	8
SC 48 1 7 1 0	1 0 K	16	SG 2 3 0 2 2 0	0 4 A - 2	7
SC 48 1 7 2 0	1 0 J	19	SG 2 3 0 2 3 0	0 4 A - 1	16
SC 48 1 7 3 0	1 0 I	1	SG 2 3 0 2 3 0	0 4 A - 2	21
SC 48 1 7 5 0	1 0 I	1	SG 2 3 0 2 6 0	0 5	2
SC 48 1 7 7 0	1 0 I	1	SG 2 3 0 2 7 0	0 4 C	10
SC 48 1 7 8 0	1 0 I	1	SG 2 3 0 2 8 0	0 4 D	8
SC 5 1 0 0 0 0	1 2 - 1	9	SG 2 3 0 2 9 0	0 4 D	7
SC 5 1 0 0 0 0	1 2 - 2	15	SG 2 3 0 3 0 0	0 4 B	29
SC 5 1 0 0 2 0 C	1 1 B - 2	3	SG 2 3 0 3 1 0	0 5	6
SC 5 1 0 0 3 0	1 1 B - 2	2	SG 2 3 0 3 3 0	0 4 A - 1	1
SC 5 1 0 0 4 0	1 1 B - 2	1	SG 2 3 0 3 4 0	0 3	24
SC 5 1 0 0 9 1	1 1 B - 1	1	SG 2 3 0 3 5 0	0 3	15
SC 5 1 0 1 1 0	1 1 B - 2	2	SG 2 3 0 3 6 0	0 4 A - 1	26
SC 5 1 0 1 2 0	1 1 B - 2	1	SG 2 3 0 3 9 0	0 4 A - 1	32
SC 5 1 0 1 8 0	1 1 B - 1	1	SG 2 3 0 4 1 0	0 4 A - 1	29
SC 7 1 0 0 1 0	1 2 - 2	10	SG 2 4 0 0 0 0	0 4 E	9
SC 7 1 0 0 3 0	1 2 - 2	12	SG 2 4 0 0 4 0	0 6 - 1	2
SC 7 3 0 0 3 0	1 0 A	5	SG 2 4 0 0 5 0	0 6 - 1	8
SC 7 3 0 0 4 1	1 0 A	4	SG 2 4 0 0 6 0	0 6 - 1	9
SC 7 3 0 0 9 2	1 0 B	2	SG 2 4 0 0 7 0	0 6 - 1	12
SC 7 3 0 1 0 2	1 0 B	7	SG 2 4 0 0 8 0	0 6 - 1	19

I N D E X

LIST No.	SECTION No.	ITEM	LIST No.	SECTION No.	ITEM
SG240090	06 - 1	23	SJ140130	00A - 1	9
SG240100	06 - 1	20	SJ140130	00A - 2	9
SG240110	06 - 1	11	SJ140220	00A - 1	10
SG250060	04D	10	SJ140220	00A - 2	10
SG250120	04D	6	SJ160030	08 - 1	4
SG270000	04E	14	SJ160040	00A - 1	18
SG270010	04E	11	SJ160461	00A - 1	4
SG270030	02C	15	SJ160532	00A - 1	4
SG270040	02C	13	SJ160652	00A - 2	4
SG270050	04C	14	SJ160691	00A - 2	4
SG270060	04C	16	SJ160891	00A - 1	4
SG270070	04C	17	SJ160911	00A - 1	4
SG270081	02C	4	SJ160961	00A - 2	4
SG270090	02C	6	SJ160981	00A - 2	4
SG270100	02C	14	SJ210040	02A	18
SG270110	04C	20	SJ210080	01A	18
SG270120	04C	19	SJ210090	01A	17
SG270130	04E	13	SJ210120	01A	10
SG270140	04E	12	SJ210150	01A	17
SG270150	04E	17	SJ220010	01A	6
SG270160	04E	18	SJ250041	08 - 1	18
SG270170	04E	10	SJ250041	08 - 2	18
SG270180	04E	16	SJ250060	10C	1
SG270190	04C	13	SJ250070	10K	12
SH710010	12 - 1	7	SJ250080	08 - 2	22
SJ120001	00B	2	SJ250090	10C	2
SJ120011	00B	2	SJ250240	03	30
SJ120031	00B	2	SJ270020	02A	4
SJ120042	00B	2	SJ270030	02A	7
SJ140000	00B	14	SJ270040	02A	5
SJ140010	00B	11	SJ270050	02B	15
SJ140020	00B	10	SJ270060	02B	14
SJ140040	00A - 1	3	SJ270070	02B	11
SJ140040	00A - 2	3	SJ270080	02B	12
SJ140050	00A - 1	1	SJ270090	02B	16
SJ140050	00A - 2	1	SJ270100	02B	15
SJ140060	00A - 1	2	SJ270110	02A	28
SJ140060	00A - 2	2	SJ270121	02A	1
SJ140070	00A - 2	3	SJ320010	01A	12
SJ140080	00A - 2	1	SJ330021	07	9
SJ140090	00A - 2	2	SJ330041	07	22
SJ140100	00B	19	SJ330050	07	23
SJ140110	00B	9	SJ330060	07	24
SJ140120	00A - 1	8	SJ480000	10C	13
SJ140120	00A - 2	8	SJ480000	10D	9

I N D E X

LIST No.	SECTION No.	ITEM	LIST No.	SECTION No.	ITEM
SJ480000	10E	9	SL230200	04A - 1	30
SJ480000	10F	10	SL230200	04A - 2	30
SJ480000	10K	4	SL250081	04D	9
SJ480010	10C	7	SL250091	04D	11
SJ480010	10D	3	SL250110	04D	1
SJ480010	10E	3	SL250140	04D	1
SJ480010	10F	4	SL250150	04D	2
SJ480020	10C	25	SL250160	04D	2
SJ480020	10D	19	SL250230	04D	12
SJ480020	10E	19	SL270000	04E	10
SJ480020	10F	20	SL270010	04E	11
SJ480030	10K	9	SL270020	04E	18
SJ480040	10K	11	SL270030	04E	17
SJ480050	10J	15	SL270040	04E	19
SJ480060	10C	7	SM250160	04E	4
SJ480060	10D	3			
SJ480060	10E	3			
SJ480060	10F	4			
SJ480081	10C	16			
SJ480081	10D	12			
SJ480081	10E	12			
SJ480081	10F	13			
SJ480090	10J	5			
SJ480200	10J	20			
SJ510000	11B - 1	6			
SJ510000	11B - 2	8			
SJ710050	12 - 2	13			
SJ710080	12 - 2	13			
SJ710090	12 - 2	13			
SK710000	12 - 1	6			
SL210081	03	14			
SL210090	03	14			
SL230001	04A - 2	16			
SL230011	04A - 2	16			
SL230021	04A - 2	17			
SL230031	04A - 2	19			
SL230040	04A - 2	25			
SL230070	04A - 2	15			
SL230080	04A - 2	27			
SL230090	04A - 2	28			
SL230130	03	12			
SL230140	04A - 2	32			
SL230180	04B	27			
SL230190	04A - 1	31			
SL230190	04A - 2	31			